

Plug - 7 poles with MULTI-GRIP



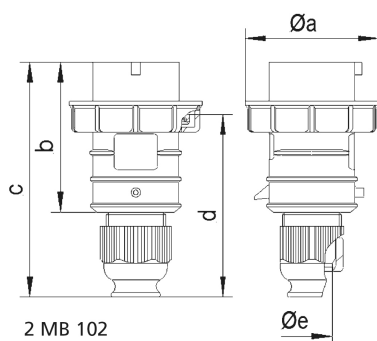
Product description	
BALS-Prd.-Nr	21667
EAN	4024941216678
Product category	TE plug
Current	16A
Number of poles	7p
Arrangement of phases	6p+PE
Position of earth contact	6 h
Voltage	400V~
Frequency	50/60Hz

Product description	
Protection degree	IP67
Colour code	red RAL 3000
Colour of appliance	Housing cover red RAL 3000, Collar red RAL 3000, Bayonet ring grey RAL 7035, Cable gland grey RAL 7035
Connection design	with screw terminal
Maximum conductor size	2,5 qmm
Cable entry	Cable gland
Height	154mm
Width	87mm
Depth	87mm
Material of enclosure	Polyamide
Contacts	the contact carrier is made of high temperature resistant material, the contacts are brass nickel plated

Additional technical properties	
	For cable diameter from 10 up to max. 21 mm, MULTI-GRIP cable gland with gasket, integrated cable clamp and additional water evacuation openings

Logistics data	
Weight/pcs	0.253 kg / Piece
Packaging	Bag
Content amount	1 ST

Logistics data	
EAN	4024941216678
Length	87 mm
Width	87 mm
Height	154 mm
Weight	0.254 kg
Volume	1,165.626 ccm
Packaging	Carton
Content amount	10 ST
EAN	4024941971379
Length	258 mm
Width	183 mm
Height	212 mm
Weight	2.682 kg
Volume	8,750 ccm



Ampere	16	32					
Polzahl	7	7					
a ø	86,0	101,0					
b	97,0	117,0					
c	152,0	181,0					
d	119,0	138,5					
e ø	21,0	27,0					
f	1	2,5					
Leiter mm ² min	2,5	6					
Leiter mm ² max							