

wall mounting appliance inlet - housing dimensions 170x118



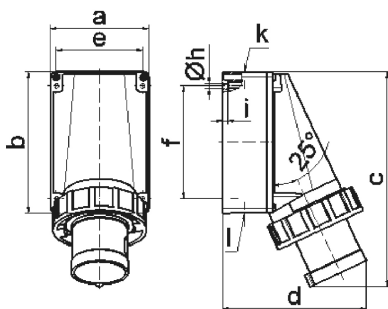
| Product description | |
|---------------------------|-------------------------------|
| BALS-Prd.-Nr | 24340 |
| EAN | 4024941243407 |
| Product category | Wall mounting appliance inlet |
| Current | 63A |
| Number of poles | 3p |
| Arrangement of phases | 2P+PE |
| Position of earth contact | 6 h |
| Voltage | 200 - 250V~ |

| Product description | |
|------------------------|---|
| Frequency | 50/60Hz |
| Protection degree | IP67 |
| Colour code | blue RAL 5015 |
| Colour of appliance | Housing bottom grey RAL 7035, Housing top grey RAL 7035, Bayonet ring grey RAL 7035, Collar blue RAL 5015 |
| Connection design | screw terminal as box terminal |
| Maximum conductor size | 16,0 qmm |
| Cable entry | top entry M40 bottom entry M32 |
| Height | 259mm |
| Width | 118mm |
| Depth | 174mm |
| Dimension of enclosure | 170x118 mm (HxW) |
| Material of enclosure | Polycarbonate |
| Contacts | The contact carrier is made of high temperature resistant material, the contacts are brass nickel plated |

| Additional technical properties | |
|---------------------------------|---|
| | The cable entry is one at top open and two at bottom closed |
| | Lower part of housing rotatable by 180° |

| Logistics data | |
|----------------|------------------|
| Weight/pcs | 0.845 kg / Piece |

| Logistics data | |
|----------------|---------------|
| Packaging | Bag |
| Content amount | 1 ST |
| EAN | 4024941243407 |
| Length | 174 mm |
| Width | 118 mm |
| Height | 259 mm |
| Weight | 0.846 kg |
| Volume | 5,317.788 ccm |
| Packaging | Carton |
| Content amount | 5 ST |
| EAN | 4024941958899 |
| Length | 445 mm |
| Width | 335 mm |
| Height | 210 mm |
| Weight | 4.601 kg |
| Volume | 29,040 ccm |



5 MB 37

| Ampere Polzahl | 63 3 | 63 4 | 63 5 |
|----------------|---------|---------|---------|
| a | 118,0 | 118,0 | 118,0 |
| b | 170,0 | 170,0 | 170,0 |
| c | 259,0 | 259,0 | 259,0 |
| d | 174,0 | 174,0 | 174,0 |
| e | 104,0 | 104,0 | 104,0 |
| f | 136,0 | 136,0 | 136,0 |
| h ø | 6,1 | 6,1 | 6,1 |
| i | 6,0 | 6,0 | 6,0 |
| k | M40 | M40 | M40 |
| l | M32/32 | M32/32 | M32/32 |
| Leiter mm² min | 6 | 6 | 6 |
| Leiter mm² max | 16 | 16 | 16 |