

domestic panel mounting socket outlet, for use in mobile distributor systems - flange 50x50, fixing centers 38x38



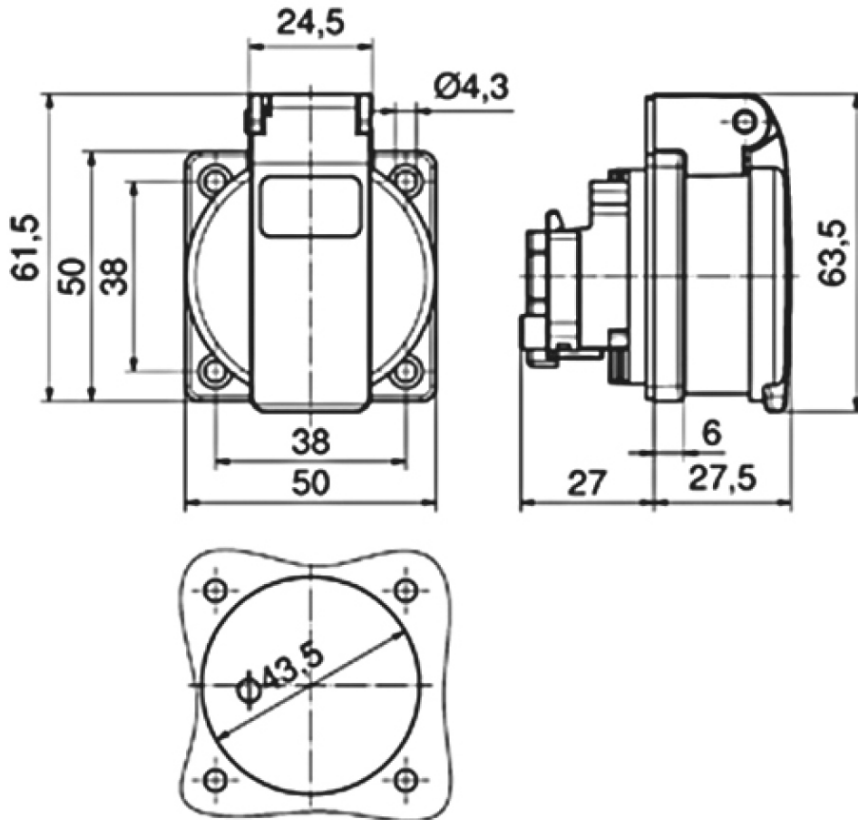
| Product description   |   |
|-----------------------|---|
| BALS-Prd.-Nr          | 71102   |
| EAN                   | 4024941962179   |
| Product category      | Domestic panel mounting socket outlet Quick-Connect screwless push-contact System F German standard |
| Current               | 16A   |
| Number of poles       | 3p  |
| Arrangement of phases | 2P+PE   |
| Voltage               | 250V~   |
| Frequency             | AC  |

| Product description            |  |
|--------------------------------|--|
| Protection degree              | IP54   |
| Colour code                    | blue RAL 5015  |
| Colour of appliance            | Hinged lid blue RAL 5015, Enclosure blue RAL 5015                              |
| Connection design              | screwless  |
| Maximum conductor size         | 2,5 qmm  |
| Cable entry                    | other  |
| Height                         | 61.5mm   |
| Width                          | 50mm   |
| Depth                          | 54.5mm   |
| Flange size vertical in mm     | 50mm   |
| Flange size horizontal in mm   | 50mm   |
| Drill hole dist. vertical mm   | 38mm   |
| Drill hole dist. horizontal mm | 38mm   |
| Material of enclosure          | plastic  |
| Contacts                       | The contact carrier is made of polyamide, the contacts are brass nickel plated |

| Additional technical properties |  |
|---------------------------------|--|
|                                 | For use in mobile distributor systems, The connection is rear, with german earthing system |

| Logistics data |                 |
|----------------|-----------------|
| Weight/pcs     | 0.04 kg / Piece |

| Logistics data |               |
|----------------|---------------|
| Packaging      | Bag           |
| Content amount | 1 ST          |
| EAN            | 4024941962179 |
| Length         | 54.5 mm       |
| Width          | 50 mm         |
| Height         | 61.5 mm       |
| Weight         | 0.041 kg      |
| Volume         | 167.588 ccm   |
| Packaging      | Carton        |
| Content amount | 20 ST         |
| EAN            | 4024941959339 |
| Length         | 207 mm        |
| Width          | 162 mm        |
| Height         | 142 mm        |
| Weight         | 0.9 kg        |
| Volume         | 3,750 ccm     |



18 MB 104