

panel mounting socket outlet, straight - flange 50x50, System E Belgian/French standard



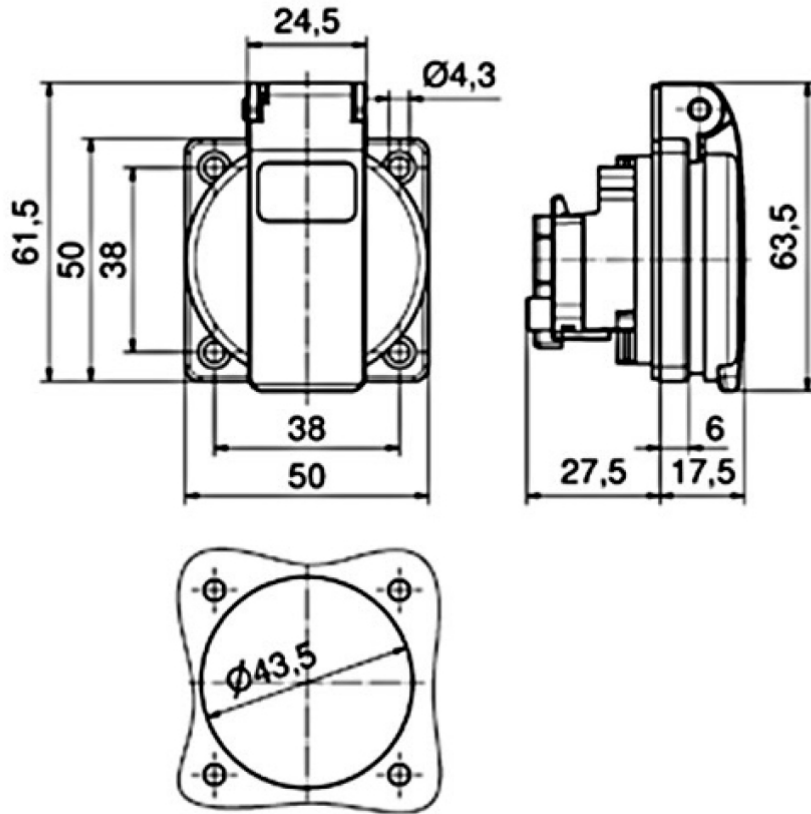
Product description	
BALS-Prd.-Nr	71118
EAN	4024941938242
Product category	Domestic panel mounting socket, Quick-Connect screwless push-contact System E Belgian/French standard
Current	16A
Number of poles	3p
Arrangement of phases	2P+PE
Voltage	250V~
Frequency	AC

Product description	
Protection degree	IP54
Colour code	blue RAL 5015
Colour of appliance	Hinged lid blue RAL 5015, Enclosure blue RAL 5015
Connection design	screwless
Maximum conductor size	4,0 qmm
Cable entry	other
Height	61.5mm
Width	50mm
Depth	45mm
Flange size vertical in mm	50mm
Flange size horizontal in mm	50mm
Drill hole dist. vertical mm	38mm
Drill hole dist. horizontal mm	38mm
Material of enclosure	plastic
Contacts	The contact carrier is made of polyamide, the contacts are brass nickel plated

Additional technical properties	
	The connection is rear, With earth contact Belgian/French standard

Logistics data	
Weight/pcs	0.06 kg / Piece

Logistics data	
Packaging	Bag
Content amount	1 ST
EAN	4024941938242
Length	45 mm
Width	50 mm
Height	61.5 mm
Weight	0.061 kg
Volume	138.375 ccm
Packaging	Carton
Content amount	20 ST
EAN	4024941835725
Length	276 mm
Width	174 mm
Height	80 mm
Weight	1.312 kg
Volume	2,808 ccm



18 MB 103