

plug - with screwless terminals, for harsh applications



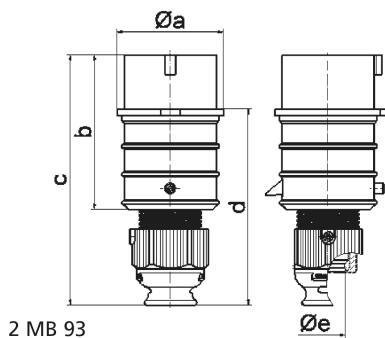
| Product description | |
|---------------------------|--|
| BALS-Prd.-Nr | 210402 |
| EAN | 4024941104685 |
| Product category | QUICK-CONNECT TE plug |
| Current | 16A |
| Number of poles | 3p |
| Arrangement of phases | 2P+PE |
| Position of earth contact | 1 h |
| Voltage | > 50V for all other not classified voltages and/or frequencies. This time position can additionally process in special applications, in which a distinction to standardized positions needed to be used. |

| Product description | |
|------------------------|--|
| Protection degree | IP44 |
| Colour code | grey RAL 7035 |
| Colour of appliance | Collar grey RAL 7035, Housing cover grey RAL 7035, Cable gland grey RAL 7035 |
| Connection design | screwless spring-clamp technology |
| Maximum conductor size | 2,5 qmm |
| Cable entry | with cable gland |
| Height | 147mm |
| Width | 51mm |
| Depth | 59mm |
| Material of enclosure | Polyamide |
| Contacts | The contact carrier is made of high temperature resistant material, the contacts are brass nickel plated |

| Additional technical properties | |
|---------------------------------|---|
| | MULTI-GRIP cable gland with gasket, integrated cable clamp and additional water evacuation openings, For cable diameter from 8 up to max. 18 mm |

| Logistics data | |
|----------------|------------------|
| Weight/pcs | 0.124 kg / Piece |
| Packaging | Bag |
| Content amount | 1 ST |
| EAN | 4024941104685 |

| Logistics data | |
|----------------|---------------|
| Length | 59 mm |
| Width | 51 mm |
| Height | 147 mm |
| Weight | 0.125 kg |
| Volume | 442.323 ccm |
| Packaging | Carton |
| Content amount | 10 ST |
| EAN | 4024941941792 |
| Length | 248 mm |
| Width | 158 mm |
| Height | 123 mm |
| Weight | 1.337 kg |
| Volume | 3,960 ccm |



2 MB 93

| Ampere | 16 | 16 | 16 | 32 | 32 | 32 |
|----------------|-------|-------|-------|-------|-------|-------|
| Polzahl | 3 | 4 | 5 | 3 | 4 | 5 |
| a ø | 51,0 | 57,5 | 65,0 | 66,0 | 66,0 | 72,0 |
| b | 95,0 | 95,0 | 97,0 | 118,0 | 118,0 | 117,0 |
| c | 145,0 | 145,0 | 152,0 | 178,0 | 178,0 | 181,0 |
| d | 109,0 | 109,0 | 116,0 | 133,0 | 133,0 | 135,5 |
| e ø | 18,0 | 18,0 | 21,0 | 23,0 | 23,0 | 27,0 |
| Leiter mm² min | 1 | 1 | 1 | 2,5 | 2,5 | 2,5 |
| Leiter mm² max | 2,5 | 2,5 | 2,5 | 6 | 6 | 6 |
| | | | | | | |
| | | | | | | |
| | | | | | | |
| | | | | | | |