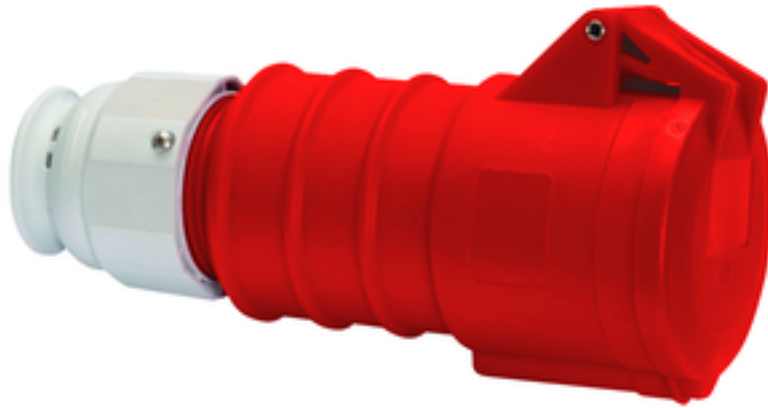


## connector - 7 poles, with Multi-Grip



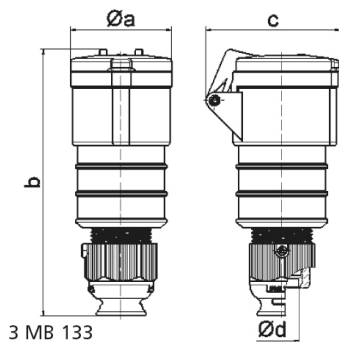
| Product description       |               |
|---------------------------|---------------|
| BALS-Prd.-Nr              | 310123        |
| EAN                       | 4024941069403 |
| Product category          | connector     |
| Current                   | 32A           |
| Number of poles           | 7p            |
| Arrangement of phases     | 6p+PE         |
| Position of earth contact | 6 h           |
| Voltage                   | 400V~         |
| Frequency                 | 50/60Hz       |

| Product description    |  |
|------------------------|--|
| Protection degree      | IP44   |
| Colour code            | red RAL 3000   |
| Colour of appliance    | Hinged lid red RAL 3000, Cable gland grey RAL 7035, Enclosure red RAL 3000                 |
| Connection design      | with screw terminal  |
| Maximum conductor size | 6,0 qmm  |
| Cable entry            | with cable gland   |
| Height                 | 199mm  |
| Width                  | 72mm   |
| Depth                  | 99mm   |
| Material of enclosure  | Polyamide  |
| Contacts               | The contacts are brass, The contact carrier is made of high temperature resistant material |

| Additional technical properties |  |
|---------------------------------|--|
|                                 | For cable diameter from 13 up to max. 27 mm, Multi-Grip cable gland with gasket, integrated cable clamp and additional water evacuation openings |

| Logistics data |                  |
|----------------|------------------|
| Weight/pcs     | 0.391 kg / Piece |
| Packaging      | Bag              |
| Content amount | 1 ST             |
| EAN            | 4024941069403    |

| Logistics data |               |
|----------------|---------------|
| Length         | 99 mm         |
| Width          | 72 mm         |
| Height         | 199 mm        |
| Weight         | 0.392 kg      |
| Volume         | 1,418.472 ccm |
| Packaging      | Carton        |
| Content amount | 10 ST         |
| EAN            | 4024941959070 |
| Length         | 325 mm        |
| Width          | 217 mm        |
| Height         | 210 mm        |
| Weight         | 4.116 kg      |
| Volume         | 13,588.4 ccm  |



|                            |       |       |  |  |  |  |  |  |
|----------------------------|-------|-------|--|--|--|--|--|--|
| Ampere                     | 16    | 32    |  |  |  |  |  |  |
| Polzahl                    | 7     | 7     |  |  |  |  |  |  |
| a ø                        | 65,0  | 72,0  |  |  |  |  |  |  |
| b                          | 168,0 | 198,0 |  |  |  |  |  |  |
| c                          | 86,0  | 99,0  |  |  |  |  |  |  |
| d ø                        | 21,0  | 27,0  |  |  |  |  |  |  |
| Leiter mm <sup>2</sup> min | 1     | 2,5   |  |  |  |  |  |  |
| Leiter mm <sup>2</sup> max | 2,5   | 6     |  |  |  |  |  |  |
|                            |       |       |  |  |  |  |  |  |
|                            |       |       |  |  |  |  |  |  |
|                            |       |       |  |  |  |  |  |  |
|                            |       |       |  |  |  |  |  |  |