

## Combination wall mounting socket outlet - with terminals but without wiring



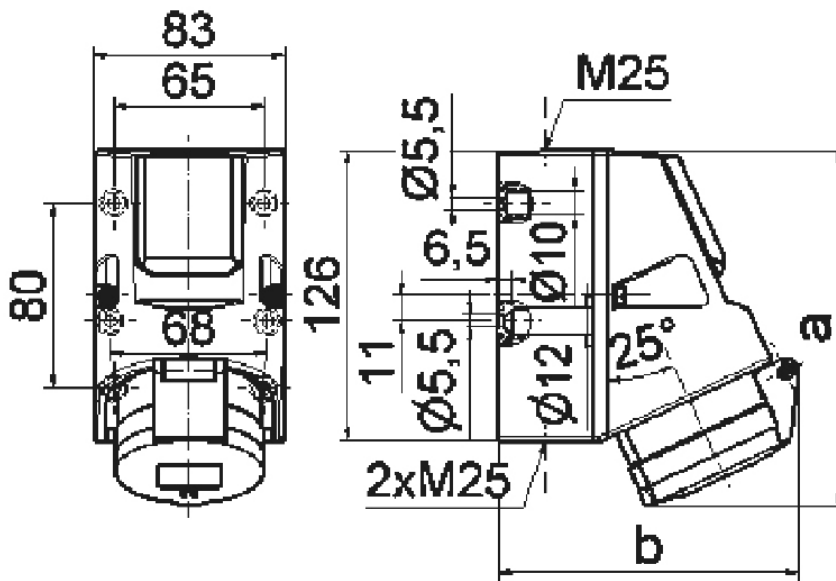
| Product description       |                                      |
|---------------------------|--------------------------------------|
| BALS-Prd.-Nr              | 107                                  |
| EAN                       | 4024941001076                        |
| Product category          | Combined wall mounting socket outlet |
| Current                   | 16A                                  |
| Number of poles           | 5p                                   |
| Arrangement of phases     | 5p                                   |
| Position of earth contact | 6 h                                  |
| Voltage                   | 200/346 - 240/415V~                  |

| Product description    |   |
|------------------------|---|
| Frequency              | 50/60Hz   |
| Protection degree      | IP44  |
| Colour code            | red RAL 3000  |
| Colour of appliance    | Housing bottom grey RAL 7035, Housing top grey RAL 7035, Collar grey RAL 7035 |
| Connection design      | with screw terminal   |
| Maximum conductor size | 4,0 qmm   |
| Cable entry            | M25   |
| Height                 | 154mm   |
| Width                  | 83mm  |
| Depth                  | 130mm   |
| Dimension of enclosure | 126x83 mm (HxW)   |
| Material of enclosure  | plastic   |
| Contacts               | the contacts are brass  |

| Additional technical properties |   |
|---------------------------------|---|
|                                 | With integrated Schuko-type socket outlet 16A 230V AC German standard |

| Logistics data |                  |
|----------------|------------------|
| Weight/pcs     | 0.438 kg / Piece |
| Packaging      | Bag              |
| Content amount | 1 ST             |

| Logistics data |               |
|----------------|---------------|
| EAN            | 4024941001076 |
| Length         | 130 mm        |
| Width          | 83 mm         |
| Height         | 154 mm        |
| Weight         | 0.439 kg      |
| Volume         | 1,661.66 ccm  |
| Packaging      | Carton        |
| Content amount | 10 ST         |
| EAN            | 4024941827836 |
| Length         | 330 mm        |
| Width          | 216 mm        |
| Height         | 260 mm        |
| Weight         | 4.606 kg      |
| Volume         | 17,062.5 ccm  |



|   | 16A |     | 32A |     |
|---|-----|-----|-----|-----|
|   | 4p  | 5p  | 4p  | 5p  |
| a | 154 | 155 | 156 | 157 |
| b | 127 | 130 | 130 | 136 |

# 1 MB 17