

## wall mounting socket outlet - housing dimensions 87x64



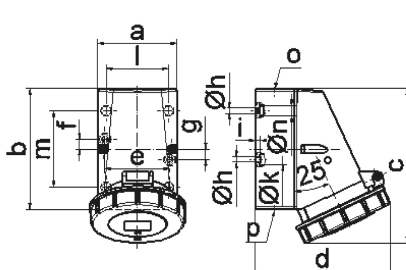
Product description	
BALS-Prd.-Nr	1133
EAN	4024941011334
Product category	Wall mounting socket outlet
Current	16A
Number of poles	3p
Arrangement of phases	2P+PE
Position of earth contact	6 h
Voltage	200 - 250V~
Frequency	50/60Hz

Product description	
Protection degree	IP67
Colour code	blue RAL 5015
Colour of appliance	Hinged lid blue RAL 5015, Housing bottom grey RAL 7035, Housing top grey RAL 7035, Bayonet ring grey RAL 7035
Connection design	with screw terminal
Maximum conductor size	4,0 qmm
Cable entry	top entry M20
Height	119mm
Width	71mm
Depth	104mm
Dimension of enclosure	87x64 mm (HxW)
Material of enclosure	Polyamide
Contacts	The contact carrier is made of polyamide, The contacts are brass

Additional technical properties	
	The cable entry is one at top open and one at bottom and one rear side closed
	Lower part of housing rotatable by 180°

Logistics data	
Weight/pcs	0.222 kg / Piece
Packaging	Bag

Logistics data	
Content amount	1 ST
EAN	4024941011334
Length	104 mm
Width	71 mm
Height	119 mm
Weight	0.223 kg
Volume	878.696 ccm
Packaging	Carton
Content amount	10 ST
EAN	4024941827300
Length	258 mm
Width	183 mm
Height	212 mm
Weight	2.372 kg
Volume	8,750 ccm



Ampere	16	16	16	32	32	32
Polzahl	3	4	5	3	4	5
a	64,0	75,0	75,0	83,0	83,0	83,0
b	87,0	100,0	100,0	126,0	126,0	126,0
c	115,0	130,0	130,0	160,0	160,0	160,0
d	103,0	110,0	115,0	129,0	129,0	135,0
e	51,0	59,0	59,0	68,0	68,0	68,0
f	20,0	11,0	11,0	11,0	11,0	11,0
g	20,0	-	-	-	-	-
h ø	4,1	5,1	5,1	5,5	5,5	5,5
i	4,5	4,5	4,5	6,5	6,5	6,5
k ø	8,0	10,0	10,0	12,0	12,0	12,0
l	-	-	-	65,0	65,0	65,0
m	-	-	-	80,0	80,0	80,0
n ø	-	-	-	10,0	10,0	10,0
o	M20	M20	M20	M25	M25	M25
p	für M20	für M20	für M20	2 x M25	2 x M25	2 x M25
Leiter mm <sup>2</sup> min	1,5	1,5	1,5	2,5	2,5	2,5
Leiter mm <sup>2</sup> max	4	4	4	10	10	10

1 MB 13