

## phase inverter - with TE screw terminals, for harsh applications



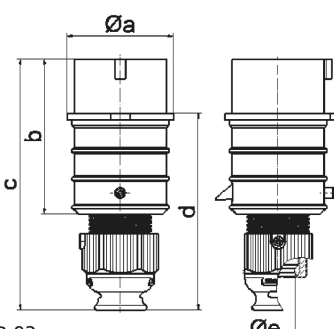
Product description	
BALS-Prd.-Nr	2288
EAN	4024941022880
Product category	TE phase inverter
Current	32A
Number of poles	5p
Arrangement of phases	3p+N+PE
Position of earth contact	6 h
Voltage	200/346 - 240/415V~

Product description	
Frequency	50/60Hz
Protection degree	IP44
Colour code	red RAL 3000
Colour of appliance	Cable gland grey RAL 7035, Housing cover red RAL 3000, Collar red RAL 3000
Connection design	with screw terminal
Maximum conductor size	6,0 qmm
Cable entry	with cable gland
Height	181mm
Width	72mm
Depth	87mm
Material of enclosure	Polyamide
Contacts	The contact carrier is made of high temperature resistant material, the contacts are brass nickel plated

Additional technical properties	
	For cable diameter from 13 up to max. 27 mm, Multi-Grip cable gland with gasket, integrated cable clamp and additional water evacuation openings

Logistics data	
Weight/pcs	0.299 kg / Piece
Packaging	Bag
Content amount	1 ST

Logistics data	
EAN	4024941022880
Length	87 mm
Width	72 mm
Height	181 mm
Weight	0.3 kg
Volume	1,133.784 ccm
Packaging	Carton
Content amount	10 ST
EAN	4024941966184
Length	295 mm
Width	185 mm
Height	215 mm
Weight	3.154 kg
Volume	9,975 ccm



2 MB 93

Ampere Polzahl	16 3	16 4	16 5	32 3	32 4	32 5
a ø	51,0	57,5	65,0	66,0	66,0	72,0
b	95,0	95,0	97,0	118,0	118,0	117,0
c	145,0	145,0	152,0	178,0	178,0	181,0
d	109,0	109,0	116,0	133,0	133,0	135,5
e ø	18,0	18,0	21,0	23,0	23,0	27,0
Leiter mm² min	1	1	1	2,5	2,5	2,5
Leiter mm² max	2,5	2,5	2,5	6	6	6