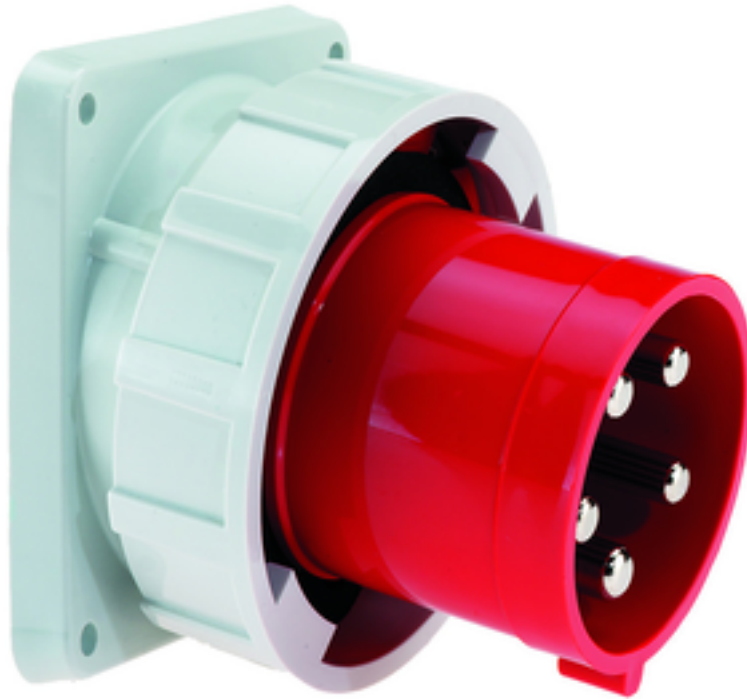


Panel mounting appliance inlet, angled - flange 130x120, fixing centers 108x100

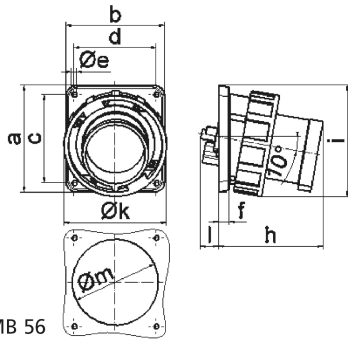


| Product description | |
|---------------------------|---|
| BALS-Prd.-Nr | 2744 |
| EAN | 4024941027441 |
| Product category | TE panel mounting appliance inlet, angled |
| Current | 125A |
| Number of poles | 5p |
| Arrangement of phases | 3p+N+PE |
| Position of earth contact | 6 h |
| Voltage | 200/346 - 240/415V~ |

| Product description | |
|--------------------------------|--|
| Frequency | 50/60Hz |
| Protection degree | IP67 |
| Colour code | red RAL 3000 |
| Colour of appliance | Collar red RAL 3000, Enclosure grey RAL 7035, Bayonet ring grey RAL 7035 |
| Connection design | screw terminal as box terminal |
| Maximum conductor size | 50.0 qmm |
| Cable entry | other |
| Height | 125mm |
| Width | 136mm |
| Depth | 150mm |
| Flange size vertical in mm | 130mm |
| Flange size horizontal in mm | 120mm |
| Drill hole dist. vertical mm | 108mm |
| Drill hole dist. horizontal mm | 100mm |
| Material of enclosure | Polyamide |
| Contacts | The contact carrier is made of high temperature resistant material, the contacts are brass nickel plated |

| Additional technical properties | |
|---------------------------------|------------------------|
| | The inclination is 10° |

| Logistics data | |
|----------------|------------------|
| Weight/pcs | 1.115 kg / Piece |
| Packaging | Bag |
| Content amount | 1 ST |
| EAN | 4024941027441 |
| Length | 150 mm |
| Width | 136 mm |
| Height | 125 mm |
| Weight | 1.116 kg |
| Volume | 2,550 ccm |
| Packaging | Carton |
| Content amount | 5 ST |
| EAN | 4024941952705 |
| Length | 330 mm |
| Width | 216 mm |
| Height | 260 mm |
| Weight | 5.801 kg |
| Volume | 17,062.5 ccm |



5 MB 56

| Ampere | 125 | 125 | 125 | | | |
|----------------------------|-------|-------|-------|--|--|--|
| Polzahl | 3 | 4 | 5 | | | |
| a | 130,0 | 130,0 | 130,0 | | | |
| b | 120,0 | 120,0 | 120,0 | | | |
| c | 108,0 | 108,0 | 108,0 | | | |
| d | 100,0 | 100,0 | 100,0 | | | |
| e ø | 6,5 | 6,5 | 6,5 | | | |
| f | 13,0 | 13,0 | 13,0 | | | |
| h | 130,0 | 130,0 | 130,0 | | | |
| i | 135,0 | 135,0 | 135,0 | | | |
| k | 126,0 | 126,0 | 126,0 | | | |
| l | 23,0 | 23,0 | 23,0 | | | |
| m ø | 105,0 | 105,0 | 105,0 | | | |
| Leiter mm ² min | 16 | 16 | 16 | | | |
| Leiter mm ² max | 50 | 50 | 50 | | | |