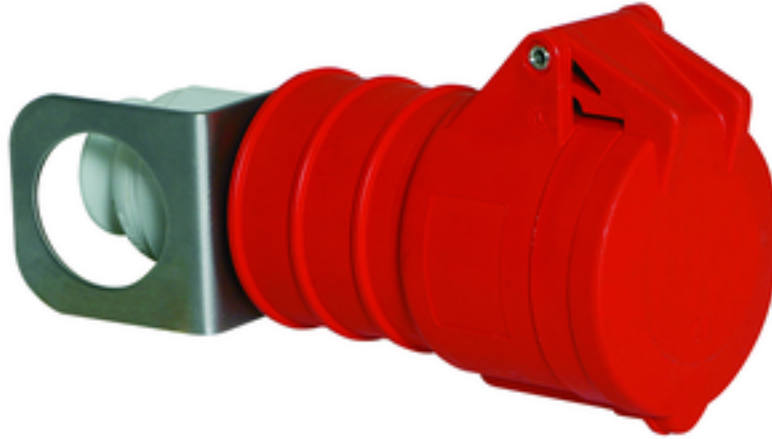


hanging connector - with Multi-Grip, with suspension clip



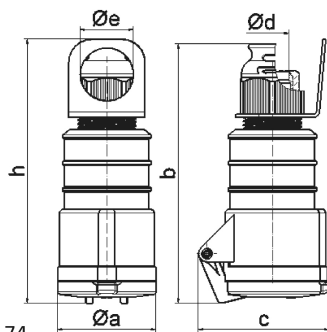
| Product description | |
|---------------------------|------------------------------------|
| BALS-Prd.-Nr | 3221 |
| EAN | 4024941032216 |
| Product category | Quick-Connect TE hanging connector |
| Current | 32A |
| Number of poles | 5p |
| Arrangement of phases | 3p+N+PE |
| Position of earth contact | 6 h |
| Voltage | 200/346 - 240/415V~ |
| Frequency | 50/60Hz |

| Product description | |
|------------------------|--|
| Protection degree | IP44 |
| Colour code | red RAL 3000 |
| Colour of appliance | Hinged lid red RAL 3000, Cable gland grey RAL 7035, Enclosure red RAL 3000 |
| Connection design | screwless spring terminals with Kontex-Kontakt |
| Maximum conductor size | 6,0 qmm |
| Cable entry | with cable gland |
| Height | 212mm |
| Width | 72mm |
| Depth | 99mm |
| Material of enclosure | Polyamide |
| Contacts | The contact carrier is made of high temperature resistant material, the contacts are brass nickel plated |

| Additional technical properties | |
|---------------------------------|--|
| | For cable diameter from 13 up to max. 27 mm, Multi-Grip cable gland with gasket, integrated cable clamp and additional water evacuation openings |

| Logistics data | |
|----------------|------------------|
| Weight/pcs | 0.391 kg / Piece |
| Packaging | Bag |
| Content amount | 1 ST |
| EAN | 4024941032216 |

| Logistics data | |
|----------------|---------------|
| Length | 99 mm |
| Width | 72 mm |
| Height | 212 mm |
| Weight | 0.392 kg |
| Volume | 1,511.136 ccm |
| Packaging | Carton |
| Content amount | 10 ST |
| EAN | 4024941970068 |
| Length | 325 mm |
| Width | 217 mm |
| Height | 210 mm |
| Weight | 4.116 kg |
| Volume | 13,588.4 ccm |



3 MB 74

| Ampere | 16 | 16 | 16 | 32 | 32 | 32 |
|----------------------------|-------|-------|-------|-------|-------|-------|
| Polzahl | 3 | 4 | 5 | 3 | 4 | 5 |
| a ø | 51,0 | 58,0 | 65,0 | 66,5 | 66,5 | 72,0 |
| b | 156,0 | 162,0 | 168,0 | 195,0 | 195,0 | 198,0 |
| c | 72,0 | 78,0 | 86,0 | 89,0 | 89,0 | 99,0 |
| d ø | 18,0 | 18,0 | 21,0 | 23,0 | 23,0 | 27,0 |
| e ø | 39,5 | 39,5 | 35,5 | 48,5 | 48,5 | 44,5 |
| h | 167,5 | 173,5 | 171,5 | 208,0 | 208,0 | 205,0 |
| Leiter mm ² min | 1 | 1 | 1 | 2,5 | 2,5 | 2,5 |
| Leiter mm ² max | 2,5 | 2,5 | 2,5 | 6 | 6 | 6 |
| | | | | | | |
| | | | | | | |
| | | | | | | |