

wall mounting socket outlet - with external fixing



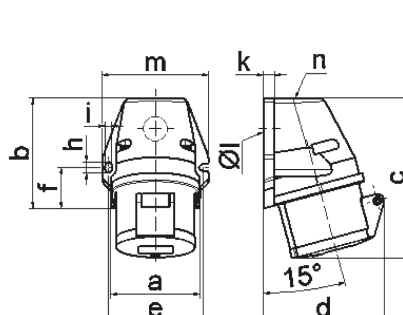
Product description	
BALS-Prd.-Nr	11726
EAN	4024941117265
Product category	Wall mounting socket outlet
Current	16A
Number of poles	5p
Arrangement of phases	3p+N+PE
Position of earth contact	7 h
Voltage	277/480 - 288/500V~
Frequency	50/60Hz

Product description	
Protection degree	IP44
Colour code	black RAL 9005
Colour of appliance	Hinged lid black RAL 9005, Housing bottom grey RAL 7035, Housing top grey RAL 7035, Collar black RAL 9005
Connection design	with screw terminal
Maximum conductor size	4,0 qmm
Cable entry	top entry M25
Height	131mm
Width	87mm
Depth	99mm
Dimension of enclosure	90x87 mm (HxW)
Material of enclosure	Polyamide
Contacts	The contacts are brass, The contact carrier is made of polyamide

Additional technical properties	
	The cable entry is one at top open and one at bottom closed

Logistics data	
Weight/pcs	0.236 kg / Piece
Packaging	Bag
Content amount	1 ST

Logistics data	
EAN	4024941117265
Length	99 mm
Width	87 mm
Height	131 mm
Weight	0.237 kg
Volume	1,128.303 ccm
Packaging	Carton
Content amount	10 ST
EAN	4024941827744
Length	387 mm
Width	222 mm
Height	150 mm
Weight	2.553 kg
Volume	11,029.5 ccm



1 MB 19

Ampere Polzahl	16 3	16 4	16 5	32 3	32 4	32 5
a	59,5	72,4	72,4	79,1	79,1	79,1
b	90,0	90,0	90,0	92,0	92,0	92,0
c	130,0	130,0	131,0	142,0	142,0	142,0
d	85,0	96,0	98,0	103,0	103,0	106,0
e	62,0	77,0	77,0	84,0	84,0	84,0
f	33,5	33,5	33,5	30,0	30,0	30,0
h	9,0	9,0	9,0	9,0	9,0	9,0
i	5,5	5,5	5,5	5,5	5,5	5,5
k	8,0	9,0	9,0	9,0	9,0	9,0
l Ø	21,0	21,0	21,0	21,0	21,0	21,0
m	72,0	87,0	87,0	94,0	94,0	94,0
n	M20	M25	M25	M25	M25	M25
Leiter mm ² min	1,5	1,5	1,5	2,5	2,5	2,5
Leiter mm ² max	4	4	4	10	10	10