

## wall mounting appliance inlet - with hinged cover



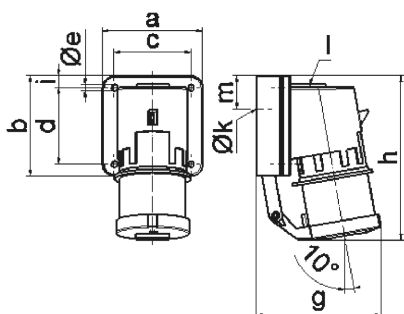
Product description	
BALS-Prd.-Nr	24018
EAN	4024941240185
Product category	Wall mounting appliance inlet
Current	32A
Number of poles	4p
Arrangement of phases	3P+PE
Position of earth contact	6 h
Voltage	380 - 415V~
Frequency	50/60Hz

Product description	
Protection degree	IP44
Colour code	red RAL 3000
Colour of appliance	Housing bottom grey RAL 7035, Housing top grey RAL 7035, Collar red RAL 3000, Hinged lid grey RAL 7035
Connection design	with screw terminal
Maximum conductor size	6,0 qmm
Cable entry	top entry M25
Height	147mm
Width	90mm
Depth	117mm
Dimension of enclosure	75x90 mm (HxW)
Material of enclosure	Polyamide
Contacts	The contact carrier is made of polyamide, The contacts are brass

Additional technical properties	
	The cable entry is one at top open and one rear sided closed
	With hinged lid

Logistics data	
Weight/pcs	0.329 kg / Piece
Packaging	Bag

Logistics data	
Content amount	1 ST
EAN	4024941240185
Length	117 mm
Width	90 mm
Height	147 mm
Weight	0.33 kg
Volume	1,547.91 ccm
Packaging	Carton
Content amount	10 ST
EAN	4024941961479
Length	325 mm
Width	217 mm
Height	210 mm
Weight	3.496 kg
Volume	13,588.4 ccm



Ampere	16	32	32	32
Polzahl	5	3	4	5
a	84,0	90,0	90,0	90,0
b	84,0	75,0	75,0	75,0
c	64,0	78,0	78,0	78,0
d	64,0	45,0	45,0	45,0
e ø	5,5	5,5	5,5	5,5
g	105,0	114,0	114,0	115,0
h	138,0	149,0	149,0	150,0
i	10,0	13,0	13,0	13,0
k ø	23,0	29,0	29,0	29,0
l	M20	M25	M25	M25
m	28,0	27,0	27,0	27,0
Leiter mm <sup>2</sup> min	1	2,5	2,5	2,5
Leiter mm <sup>2</sup> max	2,5	6	6	6