

# wall mounting appliance inlet - housing dimensions 170x118



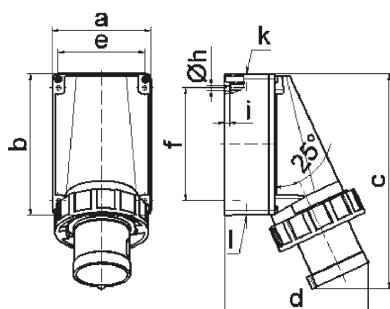
Product description	
BALS-Prd.-Nr	24340
EAN	4024941243407
Product category	Wall mounting appliance inlet
Current	63A
Number of poles	3p
Arrangement of phases	2P+PE
Position of earth contact	6 h
Voltage	200 - 250V~

Product description	
Frequency	50/60Hz
Protection degree	IP67
Colour code	blue RAL 5015
Colour of appliance	Housing bottom grey RAL 7035, Housing top grey RAL 7035, Bayonet ring grey RAL 7035, Collar blue RAL 5015
Connection design	screw terminal as box terminal
Maximum conductor size	16,0 qmm
Cable entry	top entry M40 bottom entry M32
Height	259mm
Width	118mm
Depth	174mm
Dimension of enclosure	170x118 mm (HxW)
Material of enclosure	Polycarbonate
Contacts	The contact carrier is made of high temperature resistant material, the contacts are brass nickel plated

Additional technical properties	
	The cable entry is one at top open and two at bottom closed
	Lower part of housing rotatable by 180°

Logistics data	
Weight/pcs	0.845 kg / Piece

Logistics data	
Packaging	Bag
Content amount	1 ST
EAN	4024941243407
Length	174 mm
Width	118 mm
Height	259 mm
Weight	0.846 kg
Volume	5,317.788 ccm
Packaging	Carton
Content amount	5 ST
EAN	4024941958899
Length	445 mm
Width	335 mm
Height	210 mm
Weight	4.601 kg
Volume	29,040 ccm



5 MB 37

Ampere Polzahl	63 3	63 4	63 5				
a	118,0	118,0	118,0				
b	170,0	170,0	170,0				
c	259,0	259,0	259,0				
d	174,0	174,0	174,0				
e	104,0	104,0	104,0				
f	136,0	136,0	136,0				
h ø	6,1	6,1	6,1				
i	6,0	6,0	6,0				
k	M40	M40	M40				
l	M32/32	M32/32	M32/32				
Leiter mm² min	6	6	6				
Leiter mm² max	16	16	16				