

domestic panel mounting socket outlet, for use in mobile distributor systems - flange 50x50, fixing centers 38x38



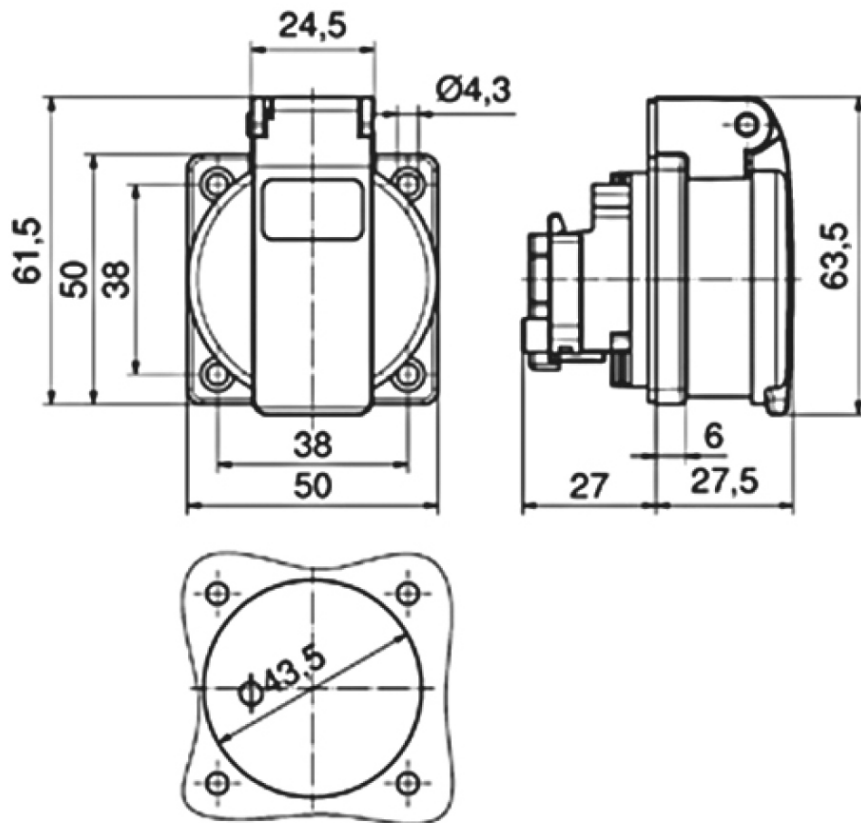
| Product description | |
|-----------------------|---|
| BALS-Prd.-Nr | 71102 |
| EAN | 4024941962179 |
| Product category | Domestic panel mounting socket outlet Quick-Connect screwless push-contact System F German standard |
| Current | 16A |
| Number of poles | 3p |
| Arrangement of phases | 2P+PE |
| Voltage | 250V~ |
| Frequency | AC |

| Product description | |
|--------------------------------|--|
| Protection degree | IP54 |
| Colour code | blue RAL 5015 |
| Colour of appliance | Hinged lid blue RAL 5015, Enclosure blue RAL 5015 |
| Connection design | screwless |
| Maximum conductor size | 2,5 qmm |
| Cable entry | other |
| Height | 61.5mm |
| Width | 50mm |
| Depth | 54.5mm |
| Flange size vertical in mm | 50mm |
| Flange size horizontal in mm | 50mm |
| Drill hole dist. vertical mm | 38mm |
| Drill hole dist. horizontal mm | 38mm |
| Material of enclosure | plastic |
| Contacts | The contact carrier is made of polyamide, the contacts are brass nickel plated |

| Additional technical properties | |
|---------------------------------|--|
| | For use in mobile distributor systems, The connection is rear, with german earthing system |

| Logistics data | |
|----------------|-----------------|
| Weight/pcs | 0.04 kg / Piece |

| Logistics data | |
|----------------|---------------|
| Packaging | Bag |
| Content amount | 1 ST |
| EAN | 4024941962179 |
| Length | 54.5 mm |
| Width | 50 mm |
| Height | 61.5 mm |
| Weight | 0.041 kg |
| Volume | 167.588 ccm |
| Packaging | Carton |
| Content amount | 20 ST |
| EAN | 4024941959339 |
| Length | 207 mm |
| Width | 162 mm |
| Height | 142 mm |
| Weight | 0.9 kg |
| Volume | 3,750 ccm |

**18 MB 104**