

wall mounting socket outlet, switched, interlocked - housing dimensions 225x118



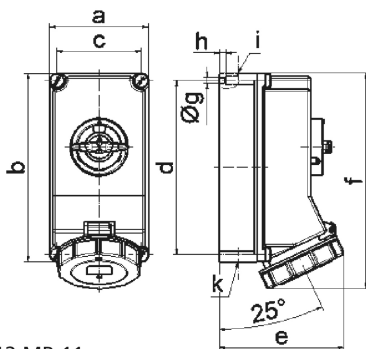
| Product description | |
|---------------------------|--|
| BALS-Prd.-Nr | 160177 |
| EAN | 4024941069328 |
| Product category | Wall mounting socket outlet, switched, interlocked |
| Current | 32A |
| Number of poles | 5p |
| Arrangement of phases | 3p+N+PE |
| Position of earth contact | 6 h |
| Voltage | 200/346 - 240/415V~ |

| Product description | |
|------------------------|--|
| Frequency | 50/60Hz |
| Protection degree | IP67 |
| Colour code | red RAL 3000 |
| Colour of appliance | Hinged lid red RAL 3000, Housing bottom grey RAL 7035, Housing screws grey RAL 7035, Bayonet ring grey RAL 7035, Housing top grey RAL 7035, Control knob grey RAL 7035 |
| Connection design | screwless spring terminals with Kontex-Kontakt |
| Maximum conductor size | 10,0 qmm |
| Cable entry | top entry M25/M25 bottom entry M25 |
| Height | 260mm |
| Width | 118mm |
| Depth | 150mm |
| Dimension of enclosure | 225x118 mm (HxW) |
| Material of enclosure | Polycarbonate |
| Contacts | the contacts are brass nickel plated, The contact carrier is made of polyamide |

| Additional technical properties | |
|---------------------------------|--|
| | The cable entry is one at top open, one at top is closed, and two at bottom are closed |
| | In 0-position lockable for 3 padlocks with bow diameter up to 7 mm |

| Logistics data | |
|----------------|----------------|
| Weight/pcs | 1.3 kg / Piece |

| Logistics data | |
|----------------|---------------|
| Packaging | Carton |
| Content amount | 1 ST |
| EAN | 4024941069328 |
| Length | 275 mm |
| Width | 175 mm |
| Height | 137 mm |
| Weight | 1.425 kg |
| Volume | 5,737.5 ccm |



12 MB 11

| Ampere Polzahl | 16 4 | 16 5 | 32 3 | 32 4 | 32 5 |
|-----------------|---------|---------|---------|---------|---------|
| a | 118,0 | 118,0 | 118,0 | 118,0 | 118,0 |
| b | 225,0 | 225,0 | 225,0 | 225,0 | 225,0 |
| c | 101,0 | 101,0 | 101,0 | 101,0 | 101,0 |
| d | 208,0 | 208,0 | 208,0 | 208,0 | 208,0 |
| e | 127,0 | 134,0 | 143,0 | 143,0 | 149,0 |
| f | 245,0 | 245,0 | 255,0 | 255,0 | 255,0 |
| g \varnothing | 6,5 | 6,5 | 6,5 | 6,5 | 6,5 |
| h | 8,0 | 8,0 | 8,0 | 8,0 | 8,0 |
| i | 2 x M25 | 2 x M25 | 2 x M25 | 2 x M25 | 2 x M25 |
| k | 2 x M25 | 2 x M25 | 2 x M25 | 2 x M25 | 2 x M25 |
| | | | | | |
| | | | | | |