

plug - 7 poles, with Multi-Grip



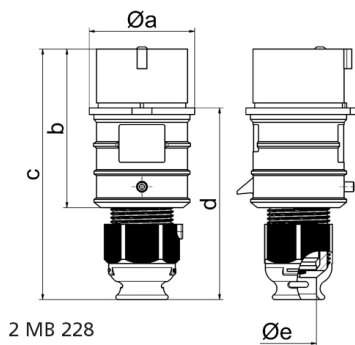
Product description	
BALS-Prd.-Nr	210067
EAN	4024941103527
Product category	TE plug
Current	32A
Number of poles	7p
Arrangement of phases	6p+PE
Position of earth contact	6 h
Voltage	400V~
Frequency	50/60Hz

Product description	
Protection degree	IP44
Colour code	red RAL 3000
Colour of appliance	anti-kink sleeve grey RAL 7035, Housing cover grey RAL 7035, Collar grey RAL 7035
Connection design	with screw terminal
Maximum conductor size	6,0 qmm
Cable entry	with cable gland
Height	181mm
Width	72mm
Depth	87mm
Material of enclosure	Polyamide
Contacts	The contact carrier is made of high temperature resistant material, the contacts are brass nickel plated

Additional technical properties	
	For cable diameter from 13 up to max. 27 mm, Multi-Grip cable gland with gasket, integrated cable clamp and additional water evacuation openings

Logistics data	
Weight/pcs	0.345 kg / Piece
Packaging	Bag
Content amount	1 ST
EAN	4024941103527

Logistics data	
Length	87 mm
Width	72 mm
Height	181 mm
Weight	0.346 kg
Volume	1,133.784 ccm
Packaging	Carton
Content amount	10 ST
EAN	4024941941785
Length	295 mm
Width	185 mm
Height	215 mm
Weight	3.614 kg
Volume	9,975 ccm



Ampere	16	32							
Polzahl	7	7							
a ø	65,0	72,0							
b	97,0	117,0							
c	152,0	181,0							
d	116,0	135,5							
e ø	21,0	27,0							
Leiter mm ² min	1	2,5							
Leiter mm ² max	2,5	6							