

## plug - with screwless terminals, for harsh applications

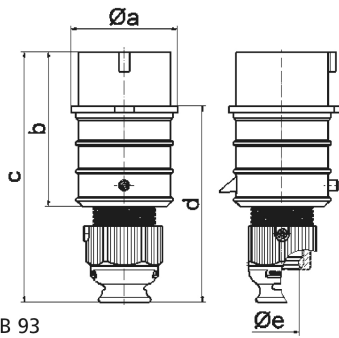


Product description	
BALS-Prd.-Nr	210238
EAN	4024941060325
Product category	QUICK-CONNECT TE plug, QUICK-CONNECT TE plug
Current	32A, 32A
Number of poles	5p, 5p
Arrangement of phases	3p+N+PE, 3p+N+PE
Position of earth contact	1 h, 1 h

Product description	
Voltage	> 50V for all other not classified voltages and/or frequencies. This time position can additionally process in special applications, in which a distinction to standardized positions needed to be used., > 50V for all other not classified voltages and/or frequencies. This time position can additionally process in special applications, in which a distinction to standardized positions needed to be used.
Protection degree	IP44, IP44
Colour code	grey RAL 7035, grey RAL 7035
Colour of appliance	Collar grey RAL 7035, Housing cover grey RAL 7035, Cable gland grey RAL 7035, Collar grey RAL 7035, Housing cover grey RAL 7035, Cable gland grey RAL 7035
Connection design	screwless spring-clamp technology, screwless spring-clamp technology
Maximum conductor size	6,0 qmm, 6,0 qmm
Cable entry	with cable gland, with cable gland
Height	181mm, 181mm
Width	72mm, 72mm
Depth	87mm, 87mm
Material of enclosure	Polyamide, Polyamide
Contacts	The contact carrier is made of high temperature resistant material, the contacts are brass nickel plated, The contact carrier is made of high temperature resistant material, the contacts are brass nickel plated

Additional technical properties	
	For cable diameter from 13 up to max. 27 mm, Multi-Grip cable gland with gasket, integrated cable clamp and additional water evacuation openings, For cable diameter from 13 up to max. 27 mm, Multi-Grip cable gland with gasket, integrated cable clamp and additional water evacuation openings

Logistics data	
Weight/pcs	0.289 kg / Piece
Packaging	Bag
Content amount	1 ST
EAN	4024941060325
Length	87 mm
Width	72 mm
Height	181 mm
Weight	0.29 kg
Volume	1,133.784 ccm
Packaging	Carton
Content amount	10 ST
EAN	4024941824613
Length	258 mm
Width	183 mm
Height	212 mm
Weight	3.042 kg
Volume	8,750 ccm



2 MB 93

Ampere	16	16	16	32	32	32
Polzahl	3	4	5	3	4	5
a ø	51,0	57,5	65,0	66,0	66,0	72,0
b	95,0	95,0	97,0	118,0	118,0	117,0
c	145,0	145,0	152,0	178,0	178,0	181,0
d	109,0	109,0	116,0	133,0	133,0	135,5
e ø	18,0	18,0	21,0	23,0	23,0	27,0
Leiter mm <sup>2</sup> min	1	1	1	2,5	2,5	2,5
Leiter mm <sup>2</sup> max	2,5	2,5	2,5	6	6	6