

connector - with screwless terminals, for harsh applications



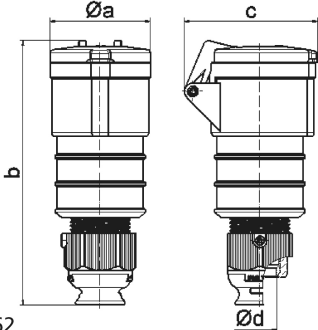
Product description	
BALS-Prd.-Nr	310044
EAN	4024941066709
Product category	QUICK-CONNECT TE connector
Current	32A
Number of poles	5p
Arrangement of phases	3p+N+PE
Position of earth contact	1 h

Product description	
Voltage	> 50V for all other not classified voltages and/or frequencies. This time position can additionally process in special applications, in which a distinction to standardized positions needed to be used.
Protection degree	IP44
Colour code	grey RAL 7035
Colour of appliance	Hinged lid grey RAL 7035, Cable gland grey RAL 7035, Enclosure grey RAL 7035
Connection design	screwless spring terminals with Kontex-Kontakt
Maximum conductor size	6,0 qmm
Cable entry	with cable gland
Height	199mm
Width	72mm
Depth	99mm
Material of enclosure	Polyamide
Contacts	The contact carrier is made of high temperature resistant material, the contacts are brass nickel plated

Additional technical properties	
	For cable diameter from 13 up to max. 27 mm, Multi-Grip cable gland with gasket, integrated cable clamp and additional water evacuation openings

Logistics data	
Weight/pcs	0.324 kg / Piece
Packaging	Bag

Logistics data	
Content amount	1 ST
EAN	4024941066709
Length	99 mm
Width	72 mm
Height	199 mm
Weight	0.325 kg
Volume	1,418.472 ccm
Packaging	Carton
Content amount	10 ST
EAN	4024941836364
Length	325 mm
Width	217 mm
Height	210 mm
Weight	3.446 kg
Volume	13,588.4 ccm



Ampere	16	16	16	32	32	32
Polzahl	3	4	5	3	4	5
a ø	51,0	58,0	65,0	66,5	66,5	72,0
b	156,0	162,0	168,0	195,0	195,0	198,0
c	72,0	78,0	86,0	89,0	89,0	99,0
d ø	18,0	18,0	21,0	23,0	23,0	27,0
Leiter mm ² min	1	1	1	2,5	2,5	2,5
Leiter mm ² max	2,5	2,5	2,5	6	6	6

3 MB 62