

connector - with screw terminals one piece housing



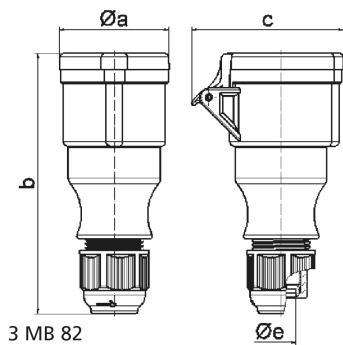
| Product description | |
|---------------------------|--------------------------------------|
| BALS-Prd.-Nr | 304-TLS |
| EAN | 4024941192309 |
| Product category | TLS connector Multi-Grip cable gland |
| Current | 32A |
| Number of poles | 5p |
| Arrangement of phases | 3p+N+PE |
| Position of earth contact | 6 h |
| Voltage | 200/346 - 240/415V~ |
| Frequency | 50/60Hz |

| Product description | |
|------------------------|--|
| Protection degree | IP44 |
| Colour code | red RAL 3000 |
| Colour of appliance | Hinged lid red RAL 3000, Cable gland grey RAL 7035, Enclosure red RAL 3000 |
| Connection design | with screw terminal |
| Maximum conductor size | 6,0 qmm |
| Cable entry | with cable gland |
| Height | 184mm |
| Width | 73mm |
| Depth | 102mm |
| Material of enclosure | Polyamide |
| Contacts | The contact carrier is made of polyamide, The contacts are brass |

| Additional technical properties | |
|---------------------------------|---|
| | Multi-Grip cable gland with gasket and integrated strain relief, one piece housing, For cable diameter from 11 up to max. 23,5 mm |

| Logistics data | |
|----------------|------------------|
| Weight/pcs | 0.304 kg / Piece |
| Packaging | Carton |
| Content amount | 10 ST |
| EAN | 4024941829373 |

| Logistics data | |
|----------------|-----------|
| Length | 295 mm |
| Width | 185 mm |
| Height | 215 mm |
| Weight | 3.204 kg |
| Volume | 9,975 ccm |



| Ampere | 16 | 16 | 16 | 32 | 32 | 32 |
|----------------------------|-------|-------|-------|-------|-------|-------|
| Polzahl | 3 | 4 | 5 | 3 | 4 | 5 |
| a ø | 51,0 | 58,0 | 65,0 | 67,0 | 67,0 | 73,0 |
| b | 145,0 | 148,0 | 156,0 | 185,0 | 185,0 | 185,0 |
| c | 74,0 | 84,0 | 90,0 | 94,0 | 94,0 | 102,0 |
| e ø | 18,0 | 18,0 | 18,0 | 23,0 | 23,0 | 23,0 |
| Leiter mm ² min | 1 | 1 | 1 | 2,5 | 2,5 | 2,5 |
| Leiter mm ² max | 2,5 | 2,5 | 2,5 | 6 | 6 | 6 |
| | | | | | | |
| | | | | | | |
| | | | | | | |
| | | | | | | |