

TN connector - with cable gland, with bayonet cover

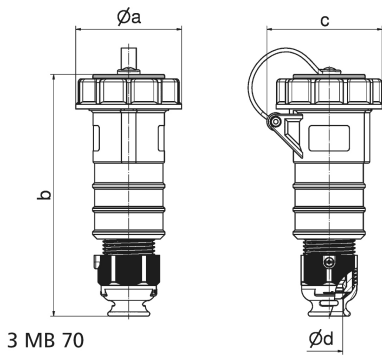


Product description	
BALS-Prd.-Nr	31151
EAN	4024941311519
Product category	QUICK-CONNECT TN connector
Current	32A
Number of poles	5p
Arrangement of phases	3p+N+PE
Position of earth contact	6 h
Voltage	200/346 - 240/415V~
Frequency	50/60Hz

Product description	
VG-type-no.:	VG 96919 DS 005
Supply no.:	5935-12-300-3597
Protection degree	IP67
Colour code	bronze-green RAL 6031-F9
Colour of appliance	Hinged lid bronze-green RAL 6031-F9, Enclosure bronze-green RAL 6031-F9, Cable gland bronze-green RAL 6031-F9, Bayonet ring bronze-green RAL 6031-F9
Connection design	screwless spring terminals with Kontex-Kontakt
Maximum conductor size	6,0 qmm
Cable entry	with cable gland
Height	200mm
Width	101.5mm
Depth	106mm
Material of enclosure	Polyamide
Contacts	The contact carrier is made of high temperature resistant material, the contacts are brass nickel plated

Additional technical properties	
	Multi-Grip cable gland with gasket, integrated cable clamp and additional water evacuation openings, For cable diameter from 13 up to max. 27 mm
	With bayonet cover on strap

Logistics data	
Weight/pcs	0.407 kg / Piece
Packaging	Bag
Content amount	1 ST
EAN	4024941311519
Length	106 mm
Width	101.5 mm
Height	200 mm
Weight	0.408 kg
Volume	2,151.8 ccm
Packaging	Carton
Content amount	10 ST
EAN	4024941967976
Length	330 mm
Width	216 mm
Height	260 mm
Weight	4.296 kg
Volume	17,062.5 ccm



3 MB 70

Ampere	16	16	16	32	32	32
Polzahl	3	4	5	3	4	5
a \varnothing	70,5	78,0	86,5	94,0	94,0	101,5
b	161,0	161,0	168,0	196,0	196,0	200,0
c	77,0	83,0	93,0	99,0	99,0	107,0
d \varnothing	18,0	18,0	21,0	23,0	23,0	27,0
Leiter mm ² min	1,0	1,0	1,0	2,5	2,5	2,5
Leiter mm ² max	2,5	2,5	2,5	6,0	6,0	6,0