

connector - with screwless terminals, for harsh applications



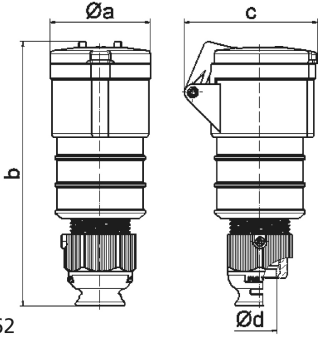
Product description	
BALS-Prd.-Nr	31664
EAN	4024941316644
Product category	QUICK-CONNECT TE connector
Current	32A
Number of poles	5p
Arrangement of phases	3p+N+PE
Position of earth contact	9 h
Voltage	120/208 - 144/250V~

Product description	
Frequency	50/60Hz
Protection degree	IP44
Colour code	red RAL 3000
Colour of appliance	Hinged lid blue RAL 5015, Enclosure blue RAL 5015, Cable gland grey RAL 7035
Connection design	screwless spring terminals with Kontex-Kontakt
Maximum conductor size	6,0 qmm
Cable entry	with cable gland
Height	199mm
Width	72mm
Depth	99mm
Material of enclosure	Polyamide
Contacts	The contact carrier is made of high temperature resistant material, the contacts are brass nickel plated

Additional technical properties	
	Multi-Grip cable gland with gasket, integrated cable clamp and additional water evacuation openings, For cable diameter from 13 up to max. 27 mm

Logistics data	
Weight/pcs	0.321 kg / Piece
Packaging	Bag
Content amount	1 ST

Logistics data	
EAN	4024941316644
Length	99 mm
Width	72 mm
Height	199 mm
Weight	0.322 kg
Volume	1,418.472 ccm
Packaging	Carton
Content amount	10 ST
EAN	4024941970204
Length	325 mm
Width	217 mm
Height	210 mm
Weight	3.416 kg
Volume	13,588.4 ccm



3 MB 62

Ampere	16	16	16	32	32	32
Polzahl	3	4	5	3	4	5
a ø	51,0	58,0	65,0	66,5	66,5	72,0
b	156,0	162,0	168,0	195,0	195,0	198,0
c	72,0	78,0	86,0	89,0	89,0	99,0
d ø	18,0	18,0	21,0	23,0	23,0	27,0
Leiter mm ² min	1	1	1	2,5	2,5	2,5
Leiter mm ² max	2,5	2,5	2,5	6	6	6