

## wall mounting socket outlet, chemically resistant - housing dimensions 225x118



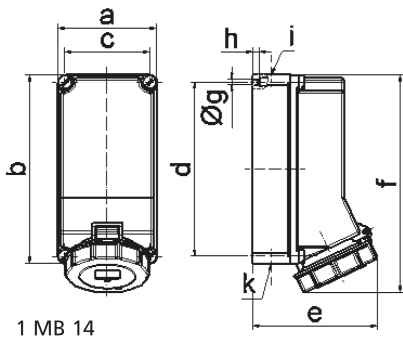
Product description	
BALS-Prd.-Nr	110016
EAN	4024941070034
Product category	TE wall mounting socket outlet Quick-Connect
Current	32A
Number of poles	4p
Arrangement of phases	3P+PE
Position of earth contact	7 h
Voltage	480 - 500V~

Product description	
Frequency	50/60Hz
Protection degree	IP67
Colour code	black RAL 9005
Colour of appliance	Hinged lid black RAL 9005, Housing bottom lightbeige, Housing top lightbeige, Bayonet ring lightbeige, Housing screws lightbeige
Connection design	screwless spring terminals with Kontex-Kontakt
Maximum conductor size	10,0 qmm
Cable entry	top entry M25/M25 bottom entry M25
Height	260mm
Width	118mm
Depth	144mm
Dimension of enclosure	225x118 mm (HxW)
Material of enclosure	Polycarbonate+Polyester light - beige
Contacts	The contact carrier is made of high temperature resistant material, the contacts are brass nickel plated

Additional technical properties	
	The cable entry is one at top open, one at top is closed, and two at bottom are closed

Logistics data	
Weight/pcs	0.0 kg / Piece
Packaging	Carton

Logistics data	
Content amount	1 ST
EAN	4024941070034
Length	275 mm
Width	175 mm
Height	137 mm
Weight	0.125 kg
Volume	5,737.5 ccm



Ampere Polzahl	32 3	32 4	32 5			
a	118,0	118,0	118,0			
b	225,0	225,0	225,0			
c	101,0	101,0	101,0			
d	208,0	208,0	208,0			
e	143,0	143,0	149,0			
f	255,0	255,0	255,0			
g ø	6,5	6,5	6,5			
h	8,0	8,0	8,0			
i	2xM25	2xM25	2xM25			
k	2xM25	2xM25	2xM25			
Leiter mm <sup>2</sup> min	2,5	2,5	2,5			
Leiter mm <sup>2</sup> max	10	10	10			