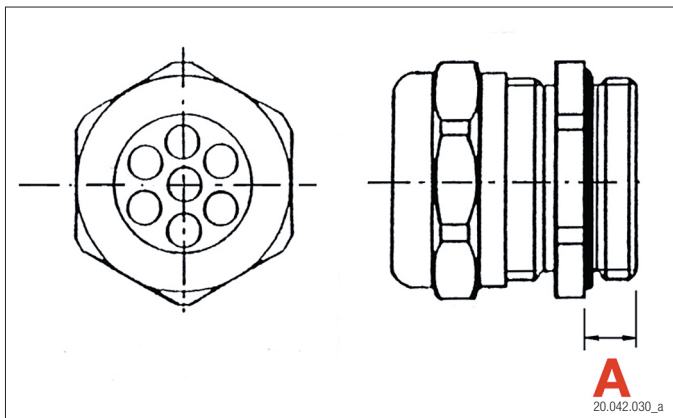


Kabelverschraubungen
Messing vernickelt KV metr.

Presse-étoupes
Laiton nickelé KV métrique

Cable glands
Nickel-plated brass KV metric

WADI Multi MS (metr.)



MAT Messing vernickelt
Laiton nickelé
Nickel plated brass

NF
NORME FRANÇAISE

TEMP -20°C bis +120°C
-20°C à +120°C
-20°C to +120°C

RoHS

IP 68 bis 5 bar
IP 68 à 5 bar
IP 68 to 5 bar

Tefabloc 65 Sh A, O-Ring Nitrile 70 Sh A

NORM EN 60423

Kabelverschraubung WADI Multi MS

Platzsparende Montage von zwei oder mehreren Kabeln in einer Verschraubung. Mit Verdrehschutz.
(Löcher geschlossen, bzw. durchstossbar nach Wahl)

Presse-étoupe WADI Multi MS

Montage économique pour deux ou plusieurs câbles dans un presse-étoupe. Avec sécurité antirotation.
(Garniture obturée, possibilité de transpercer le nombre de trous désirés)

Cable gland WADI Multi MS

Economic installation of two or more cables in one cable gland. With anti-torsion device.
(Holes closed, can be perforated on one's free choice)





		$>D<$ mm	A mm	 mm		Plica-Nr.	E-Nr.	VE		
M16	2	0-1	7.0	17/17	vernickelt	92.4291.161	121 160 003	50		
		2-3	7.0	17/17	vernickelt	92.4291.162	121 160 013	50		
		2.5-3.5	7.0	17/17	vernickelt	92.4291.163	121 160 023	50		
		3-4	7.0	17/17	vernickelt	92.4291.164	121 160 033	50		
M20	3	2-3	7.0	17/17	vernickelt	92.4291.165	121 160 043	50		
		2	1.3-2.3	7.0	20/22	vernickelt	92.4291.201	121 160 103	50	
			2-3	7.0	22/22	vernickelt	92.4291.202	121 160 113	50	
			2.5-3.5	7.0	20/22	vernickelt	92.4291.203	121 160 123	50	
	3-4		7.0	20/22	vernickelt	92.4291.204	121 160 133	50		
	4	5-6	4-5	7.0	22/22	vernickelt	92.4291.205	121 160 143	50	
			5-6	7.0	22/22	vernickelt	92.4291.206	121 160 153	50	
			3	1-2	7.0	22/22	vernickelt	92.4291.207	121 160 163	50
				2-3	7.0	22/22	vernickelt	92.4291.208	121 160 173	50
		2.5-3.5		7.0	20/22	vernickelt	92.4291.209	121 160 183	50	
		3-4		7.0	22/22	vernickelt	92.4291.210	121 160 193	50	
		4.3-5.3	4.3-5.3	7.0	22/22	vernickelt	92.4291.211	121 160 203	50	
			4	0.5-1.5	7.0	20/22	vernickelt	92.4291.212	121 160 213	50
	2-3			7.0	22/22	vernickelt	92.4291.213	121 160 223	50	
	2.5-3.5			7.0	20/22	vernickelt	92.4291.214	121 160 233	50	
	3-4	3-4		7.0	22/22	vernickelt	92.4291.215	121 160 243	50	
6		1-2	7.0	20/22	vernickelt	92.4291.220	121 160 253	50		
		1.5-2.5	7.0	20/22	vernickelt	92.4291.217	121 160 263	50		

Technische Änderungen vorbehalten – Sous réserve de changements techniques – Technical alterations reserved

Kabelverschraubungen
Messing vernickelt KV metr.

Presse-étoupes
Laiton nickelé KV métrique

Cable glands
Nickel-plated brass KV metric

		> Ø < mm	A mm				Plica-Nr.	E-Nr.	VE
M20	6	2.5-3.5	7.0	22/22		vernickelt	92.4291.218	121 160 273	50
	10	1-2	7.0	22/22		vernickelt	92.4291.219	121 160 283	50
M25	2	3-4	8.0	24/26		vernickelt	92.4291.251	121 160 303	20
		3.5-4.5	8.0	30/30		vernickelt	92.4291.252	121 160 313	20
		4-5	8.0	24/26		vernickelt	92.4291.253	121 160 323	20
		5-6	8.0	24/26		vernickelt	92.4291.254	121 160 333	20
		6-7	8.0	24/26		vernickelt	92.4291.255	121 160 343	20
	3	7-8	8.0	30/30		vernickelt	92.4291.256	121 160 353	20
		2-3	8.0	24/26		vernickelt	92.4291.257	121 160 363	20
		3-4	8.0	24/26		vernickelt	92.4291.258	121 160 373	20
		4-5	8.0	24/26		vernickelt	92.4291.259	121 160 383	20
		4.6-5.6	8.0	24/26		vernickelt	92.4291.260	121 160 393	20
	4	5-6	8.0	24/26		vernickelt	92.4291.261	121 160 403	20
		6-7	8.0	30/30		vernickelt	92.4291.262	121 160 413	20
		7-8	8.0	30/30		vernickelt	92.4291.263	121 160 423	20
		3-4	8.0	24/26		vernickelt	92.4291.264	121 160 433	20
		4-5	8.0	30/30		vernickelt	92.4291.265	121 160 443	20
5	5-6	8.0	30/30		vernickelt	92.4291.266	121 160 453	20	
	3-4	8.0	24/26		vernickelt	92.4291.267	121 160 463	20	
	4-5	8.0	30/30		vernickelt	92.4291.268	121 160 473	20	
	5-6	8.0	30/30		vernickelt	92.4291.269	121 160 483	20	
	5.5-6.5	8.0	30/30		vernickelt	92.4291.270	121 160 493	20	
6	3-4	8.0	30/30		vernickelt	92.4291.271	121 160 503	20	
	4-5	8.0	30/30		vernickelt	92.4291.272	121 160 513	20	
	8	3-4	8.0	30/30		vernickelt	92.4291.273	121 160 523	20
8	4-5	8.0	30/30		vernickelt	92.4291.274	121 160 533	20	
	21	1-2	8.0	30/30		vernickelt	92.4291.275	121 160 543	20
	M32	2	3.5-4.5	8.5	30/33		vernickelt	92.4291.321	121 160 603
7-8			8.5	30/33		vernickelt	92.4291.322	121 160 613	20
8-9			8.5	40/40		vernickelt	92.4291.323	121 160 623	20
10-11			8.5	40/40		vernickelt	92.4291.324	121 160 633	20
11-12			8.5	40/40		vernickelt	92.4291.325	121 160 643	20
3		6-7	8.5	30/33		vernickelt	92.4291.326	121 160 653	20
		7-8	8.5	30/33		vernickelt	92.4291.327	121 160 663	20
		8-9	8.5	40/40		vernickelt	92.4291.328	121 160 673	20
		10-11	8.5	40/40		vernickelt	92.4291.329	121 160 683	20
		4-5	8.5	30/33		vernickelt	92.4291.330	121 160 693	20
4		5-6	8.5	30/33		vernickelt	92.4291.331	121 160 703	20
		7-8	8.5	40/40		vernickelt	92.4291.332	121 160 713	20
		8-9	8.5	40/40		vernickelt	92.4291.333	121 160 723	20
		9-10	8.5	40/40		vernickelt	92.4291.334	121 160 733	20
		4-5	8.5	30/33		vernickelt	92.4291.335	121 160 743	20
5	5-6	8.5	30/33		vernickelt	92.4291.336	121 160 753	20	
	5.5-6.5	8.5	30/33		vernickelt	92.4291.337	121 160 763	20	
	3-4	8.5	30/33		vernickelt	92.4291.338	121 160 773	20	
	4-5	8.5	30/33		vernickelt	92.4291.339	121 160 783	20	
	5-6	8.5	40/40		vernickelt	92.4291.340	121 160 793	20	
6	5.5-6.5	8.5	40/40		vernickelt	92.4291.341	121 160 803	20	
	6-7	8.5	40/40		vernickelt	92.4291.342	121 160 813	20	
	5-6	8.5	40/40		vernickelt	92.4291.343	121 160 823	20	
	6-7	8.5	40/40		vernickelt	92.4291.344	121 160 833	20	
	8	3-4	8.5	30/33		vernickelt	92.4291.345	121 160 843	20
7	4-5	8.5	40/40		vernickelt	92.4291.346	121 160 853	20	
	5-6	8.5	40/40		vernickelt	92.4291.347	121 160 863	20	
	10	5-6	8.5	40/40		vernickelt	92.4291.348	121 160 873	20
	11	4-5	8.5	40/40		vernickelt	92.4291.349	121 160 883	20
	21	1-2	8.5	30/33		vernickelt	92.4291.350	121 160 893	20
8	28	2-3	8.5	40/40		vernickelt	92.4291.351	121 160 903	20