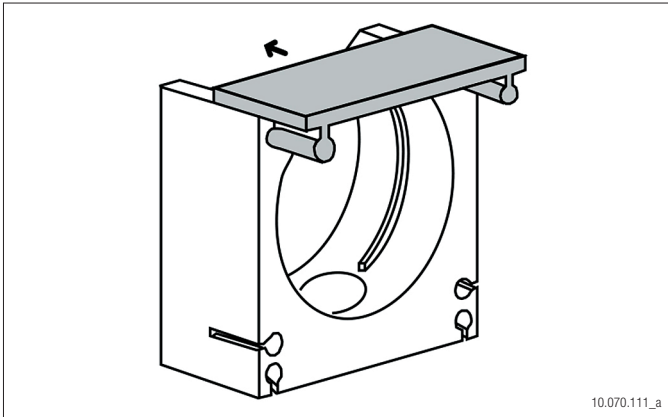
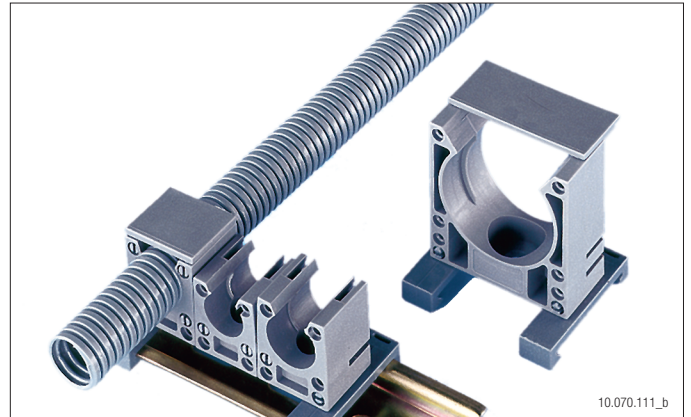


DE SH



10.070.111_a



10.070.111_b

MAT	Polyamid Polyamide Polyamide	
TEMP	-40°C bis +105°C -40°C à +105°C -40°C to +105°C	
HALO	halogenfrei sans halogène halogen free	
	flammhemmend combust. retardée flame resistant	
	IP 65	

Deckel für Systemhalter

Couverture pour le titulaire du système

Top for System Support

NORM NW/DN		Plica-Nr.	E-Nr.	VE
07		13.1102.310		100
		13.1102.210		100
12		13.1102.312		50
		13.1102.212		50
14		13.1102.314		50
		13.1102.214		50
23		13.1102.322		50
		13.1102.222		50
29		13.1102.329		30
		13.1102.229		30
36		13.1102.337		30
		13.1102.237		30
48		13.1102.350		20
		13.1102.250		20