

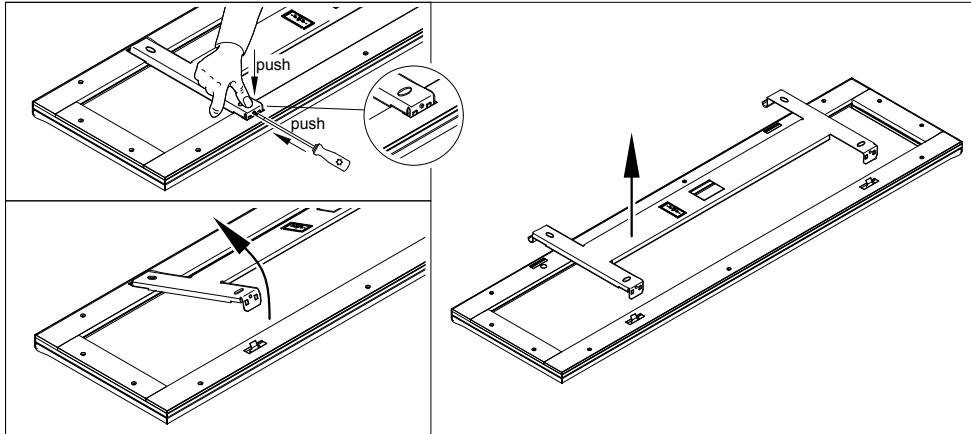
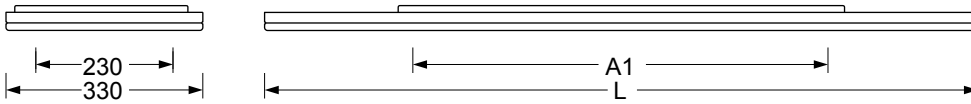


VSA.

43

Regiolux GmbH
 D-97484 Königsberg/Bay.
 Telefon (0 95 25) 89-0
 Telefax (0 95 25) 89 73 4
 http://www.regiolux.de
 e-Mail: info@regiolux.de

VSA./1200	L 1199	A1 700
VSA./1500	L 1480	A1 700

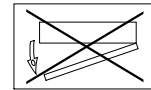


Achtung:
 Leuchte nicht öffnen!
 Garantieverlust!

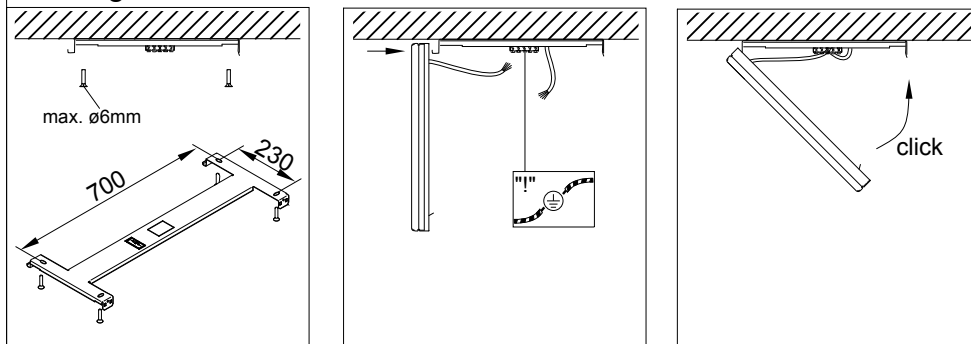
Attention:
 Don't open the luminaire!
 Loss of Guarantee!

Attention:
 N'est pas ouvrir le luminaire!
 Perte de garantie!

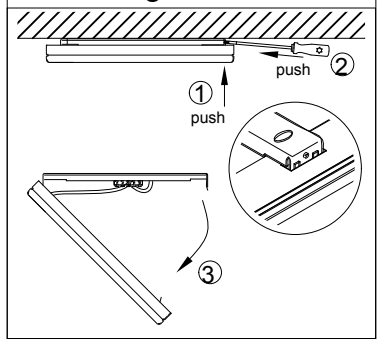
Atención:
 Non abrir la luminara!
 Pérdida de garantía!



Montage



Demontage



VISULA dim DALI

	<p>3 Netz/mains 3 Netz/mains</p> <p>Schalter/ switch</p>	<p>- Ein / Aus - - On / Off -</p>	<p>ext. int.</p> <table border="1"> <tr> <td>3</td> <td></td> <td>tr/tr</td> </tr> <tr> <td>N</td> <td>+</td> <td>bl/bl</td> </tr> <tr> <td>PE</td> <td></td> <td>gnge/gnye</td> </tr> <tr> <td>L</td> <td>1</td> <td>bn/bn</td> </tr> <tr> <td></td> <td>2</td> <td>sw/bk</td> </tr> </table>	3		tr/tr	N	+	bl/bl	PE		gnge/gnye	L	1	bn/bn		2	sw/bk
3		tr/tr																
N	+	bl/bl																
PE		gnge/gnye																
L	1	bn/bn																
	2	sw/bk																
	<p>3 Netz/mains 2 DALI</p>	<p>- Ein / Aus / Dimmen - - On / Off / Dimming -</p>	<p>ext. int.</p> <table border="1"> <tr> <td>3</td> <td></td> <td>tr/tr</td> </tr> <tr> <td>N</td> <td>+</td> <td>bl/bl</td> </tr> <tr> <td>PE</td> <td></td> <td>gnge/gnye</td> </tr> <tr> <td>L</td> <td>1</td> <td>bn/bn</td> </tr> <tr> <td>DA</td> <td>2</td> <td>sw/bk</td> </tr> </table>	3		tr/tr	N	+	bl/bl	PE		gnge/gnye	L	1	bn/bn	DA	2	sw/bk
3		tr/tr																
N	+	bl/bl																
PE		gnge/gnye																
L	1	bn/bn																
DA	2	sw/bk																
	<p>3 Netz/mains 2 DALI</p> <p>Taster/ push-button</p>	<p>- Ein / Aus / Tast-Dim - - On / Off / Touch dim -</p>	<p>ext. int.</p> <table border="1"> <tr> <td>3</td> <td></td> <td>tr/tr</td> </tr> <tr> <td>N</td> <td>+</td> <td>bl/bl</td> </tr> <tr> <td>PE</td> <td></td> <td>gnge/gnye</td> </tr> <tr> <td>L</td> <td>1</td> <td>bn/bn</td> </tr> <tr> <td></td> <td>2</td> <td>sw/bk</td> </tr> </table>	3		tr/tr	N	+	bl/bl	PE		gnge/gnye	L	1	bn/bn		2	sw/bk
3		tr/tr																
N	+	bl/bl																
PE		gnge/gnye																
L	1	bn/bn																
	2	sw/bk																