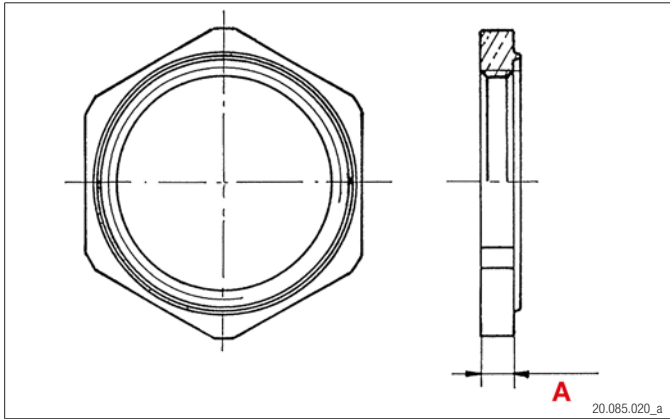


GGM MS (PG)



MAT Messing vernickelt
Laiton nickelé
Nickel plated brass

RoHS




TEMP -40°C bis +200°C
-40°C à +200°C
-40°C to +200°C

NORM EN 60423

Sechskantmutter MS
Standard-Gegenmutter.

Contre-écrou MS
Type standard.

Lock nut MS
Standard type.

	A mm			Plica-Nr.	E-Nr.	VE
PG7	2.9	15	vernickelt	92.6000.070	126 362 000	100
PG9	2.9	18	vernickelt	92.6000.096	126 362 001	100
PG11	3.1	21	vernickelt	92.6000.118	126 362 002	100
PG13.5	3.1	23	vernickelt	92.6000.134	126 362 003	100
PG16	3.1	26	vernickelt	92.6000.169	126 362 004	100
PG21	3.6	32	vernickelt	92.6000.215	126 362 005	100
PG29	4.1	41	vernickelt	92.6000.290	126 362 006	50
PG36	5.1	51	vernickelt	92.6000.363	126 362 007	25
PG42	5.1	60	vernickelt	92.6000.428	126 362 019	25
PG48	5.6	64	vernickelt	92.6000.487	126 362 009	25