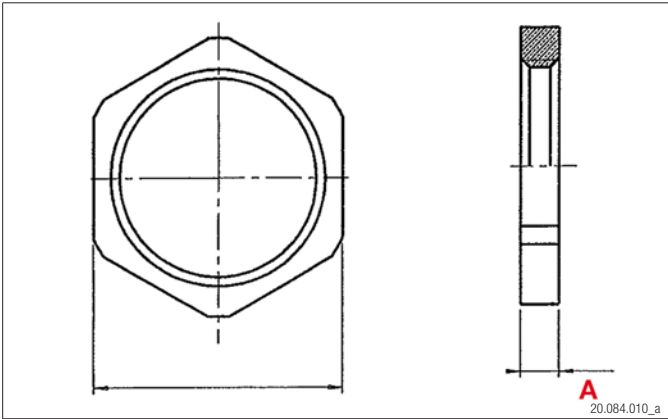


GGM MS (metr.)



MAT Messing vernickelt
Laiton nickelé
Nickel plated brass

RoHS




TEMP -40°C bis +200°C
-40°C à +200°C
-40°C to +200°C

NORM EN 60423

Sechskant-Gegenmutter, Messing vernickelt

Contre-écrou, laiton nickelé

Counter nut, nickel plated brass

	A mm				Plica-Nr.	E-Nr.	VE
Standard			Standard	Standard			
M6	3.5	8		vernickelt	92.6000.045	126 363 000	100
M8	3.5	11		vernickelt	92.6000.055	126 363 100	100
M10	3.5	12		vernickelt	92.6000.066	126 363 200	100
M12	3.0	15		vernickelt	92.6004.122	126 363 300	100
M16	3.0	20		vernickelt	92.6004.168	126 363 400	50
M20	3.5	24		vernickelt	92.6004.204	126 363 500	50
M25	3.5	30		vernickelt	92.6004.256	126 363 600	25
M32	4.5	35		vernickelt	92.6004.308	126 363 700	10
M40	4.5	45		vernickelt	92.6004.405	126 363 800	10
M50	5.5	55		vernickelt	92.6004.507	126 363 900	10
M63	6.0	70		vernickelt	92.6004.639	126 363 910	10
M75	8.0	80		vernickelt	92.6004.751	126 363 920	10