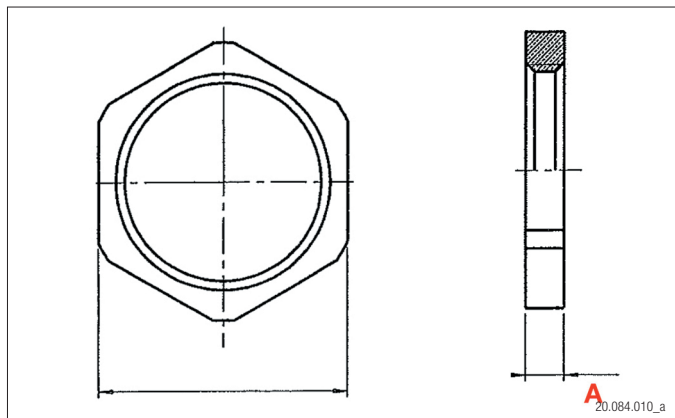


GGM MS (metr.)



MAT Messing vernickelt
Laiton nickelé
Nickel plated brass

RoHS

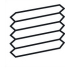


TEMP -40°C bis +200°C
-40°C à +200°C
-40°C to +200°C

NORM EN 60423

Sechskant-Gegenmutter, Messing vernickelt

Contre-écrou, laiton nickelé

Counter nut, nickel plated brass

	A mm				Plica-Nr.	E-Nr.	VE
Schwere Ausführung			Exécution lourde	Heavy execution			
M12	2.8	15		vernickelt	92.6005.012	126 371 300	50
M16	3.0	19		vernickelt	92.6005.016	126 371 400	50
M20	3.5	24		vernickelt	92.6005.020	126 371 500	50
M25	4.0	30		vernickelt	92.6005.025	126 371 600	50
M32	5.0	36		vernickelt	92.6005.032	126 371 700	50
M40	5.0	46		vernickelt	92.6005.040	126 371 800	50
Standard			Standard	Standard			
M6	3.5	8		vernickelt	92.6000.045	126 363 002	100
M8	3.5	11		vernickelt	92.6000.055	126 363 102	100
M10	3.5	12		vernickelt	92.6000.066	126 363 202	100
M12	3.0	15		vernickelt	92.6004.122	126 363 302	100
M16	3.0	20		vernickelt	92.6004.168	126 363 402	50
M20	3.5	24		vernickelt	92.6004.204	126 363 502	50
M25	3.5	30		vernickelt	92.6004.256	126 363 602	25
M32	4.5	35		vernickelt	92.6004.308	126 363 702	10
M40	4.5	45		vernickelt	92.6004.405	126 363 802	10
M50	5.5	55		vernickelt	92.6004.507	126 363 902	10
M63	6.0	70		vernickelt	92.6004.639	126 363 912	10
M75	8.0	80		vernickelt	92.6004.751	126 363 920	10