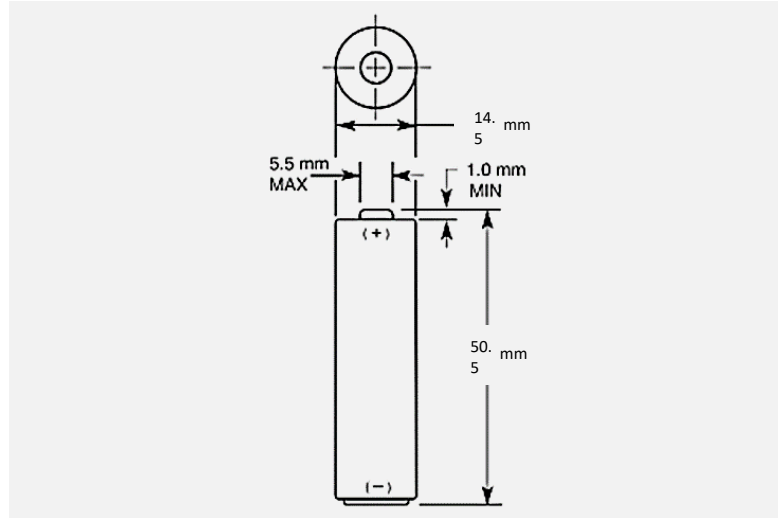


**ALKALINE-MANGANESE DIOXIDE BATTERY**



Size: AA (LR6) PX1500



Dimensions shown are IEC standards

**KEY FEATURES**

- Reliable Performance
- Excellent resistance to corrosion
- Designed to meet all major quality, safety and environmental standards:
  - Safety: IEC 60086-5
  - ANSI C 18.1M, Part-2
  - EU Battery Directive
  - Quality: ISO 14001 and 9001, Duracell World Class Continuous Improvement Program

**TYPICAL APPLICATIONS**

- Medical Devices
- Security Cameras
- Soap Dispensers
- Electronic Door Locks
- Window Blinds/Shades

**ELECTRICAL CHARACTERISTICS**

- Nominal capacity (25 mA Cont., .8V cut-off) 3,072 mAh
- Typical Voltage (at + 20 °C) 1.5 V
- AC Impedance @ 1kHz 77 mΩ

**PHYSICAL CHARACTERISTICS**

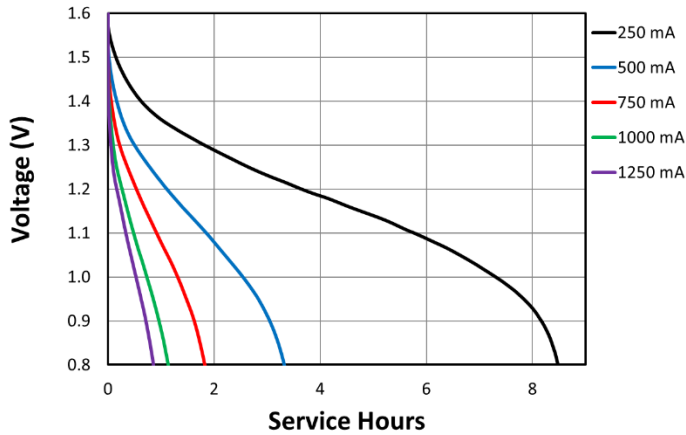
- Typical weight 24.3 g (0.9 oz)
- Typical volume 8.4 cm<sup>3</sup> (0.5 in<sup>3</sup>)
- Terminals Flat

**OPERATING & STORAGE CONDITIONS**

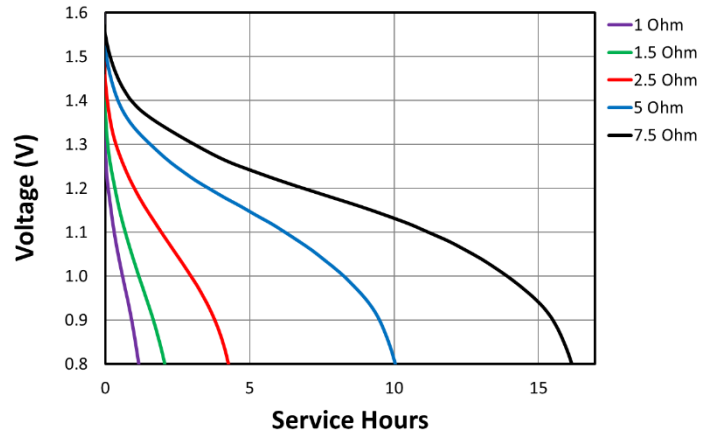
- Operating temperature range -20°C to 54°C  
(-4°F to 130°F)
- Recommended Storage (storage area should be clean, cool, dry and ventilated) 5°C to 30°C  
(41°F to 86° F)

TYPICAL PERFORMANCE

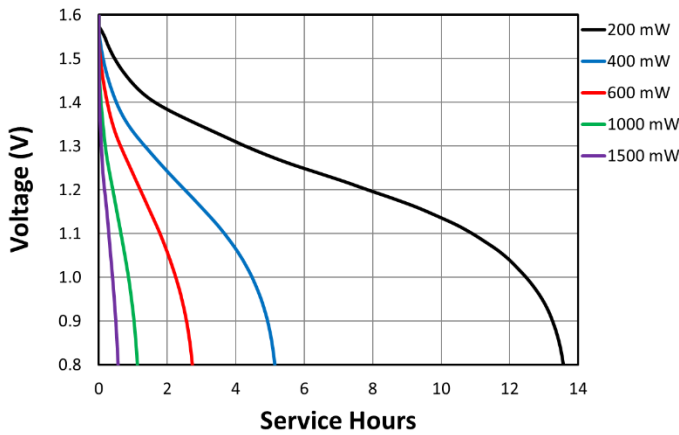
**Constant Current**



**Constant Resistance**



**Constant Power**



**Constant Current - 250 mA**

