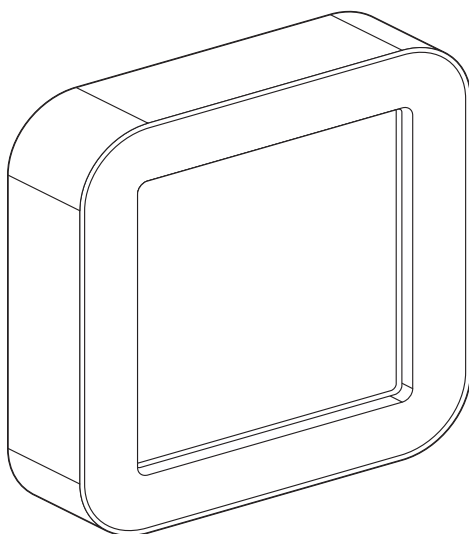
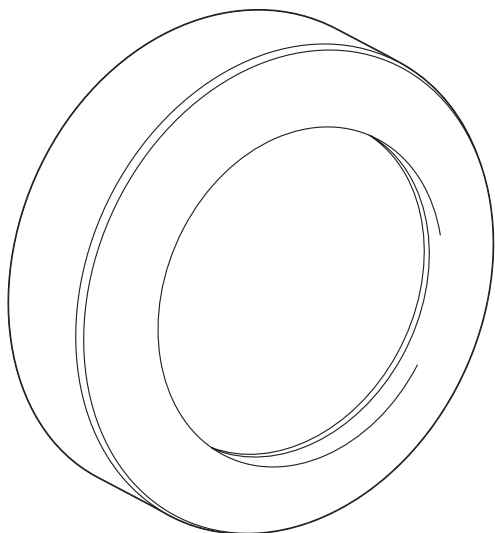


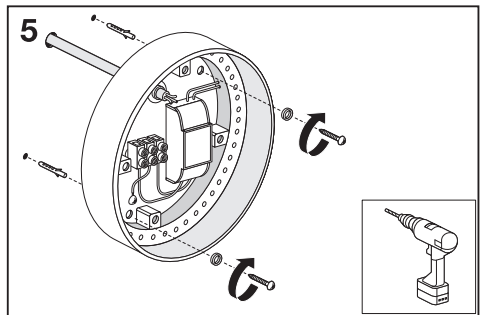
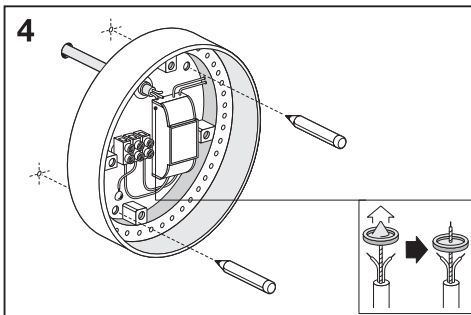
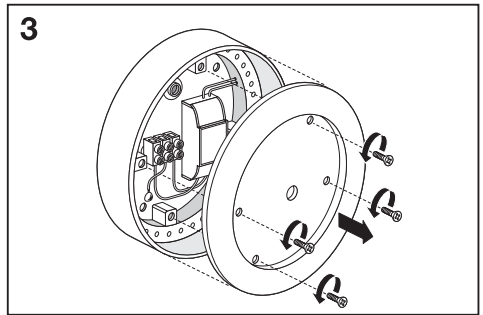
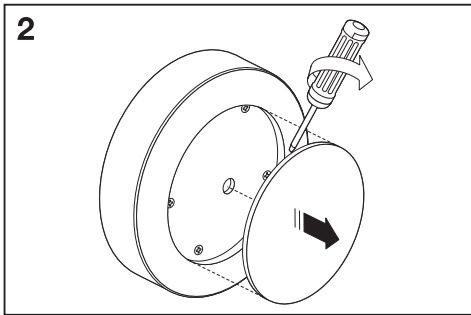
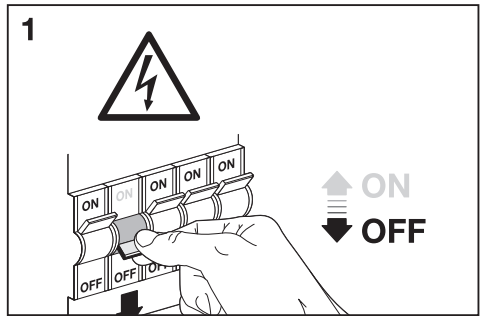
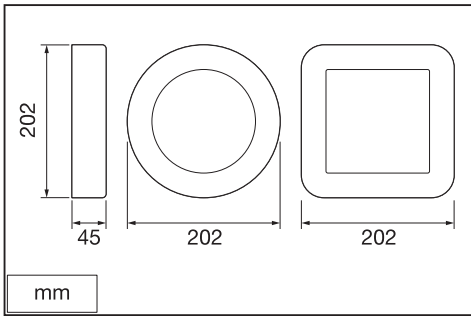
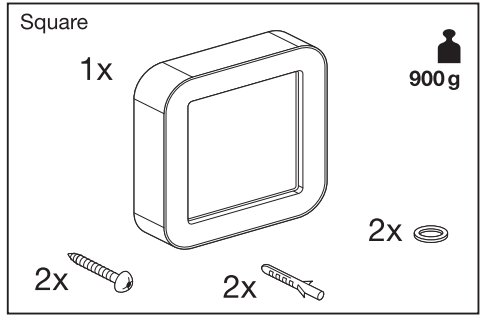
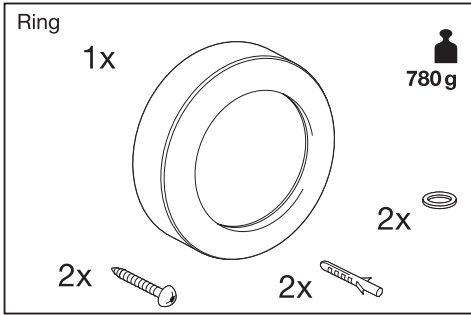
---

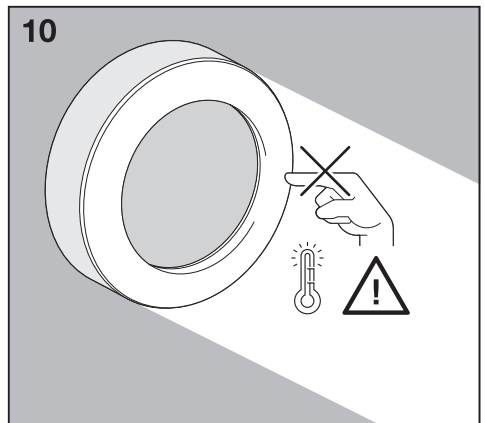
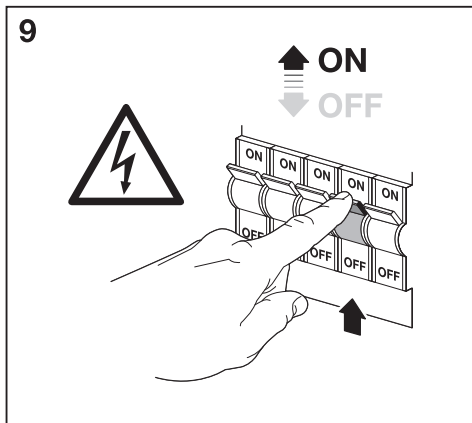
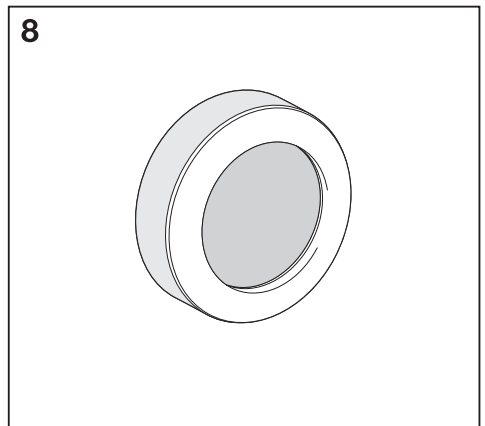
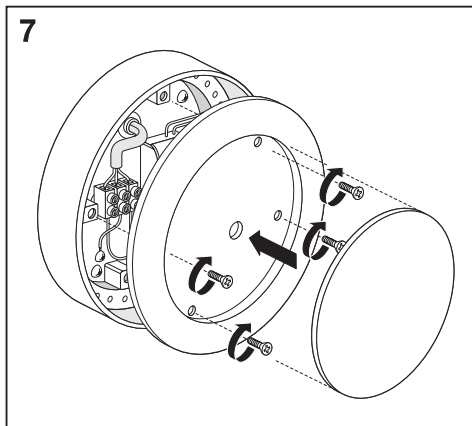
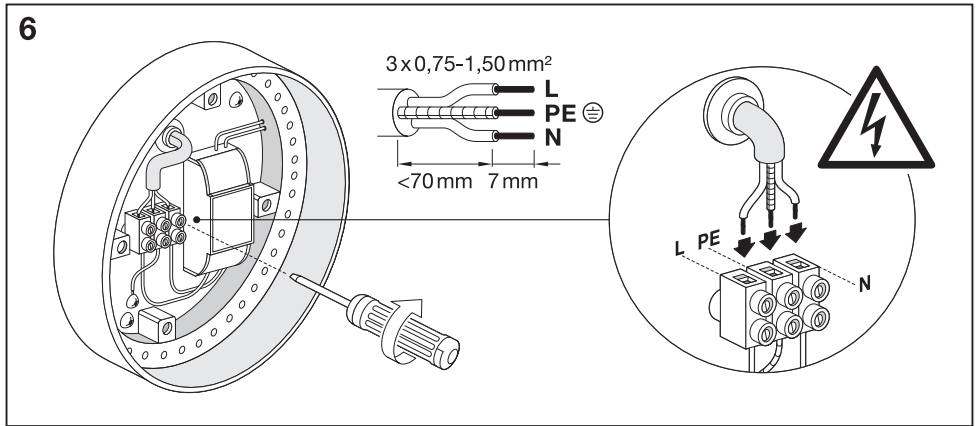
## ENDURA® STYLE RING/SQUARE





---



	EAN	W	lm	K	⊖ (°C)	V~	mA	Hz	PF
<b>ENDURA® STYLE Ring 13.5W DG</b>	4058075205215	13.5	480	3000	-20...+40	220-240	63	50/60	>0.5
<b>ENDURA® STYLE Ring 13.5W WT</b>	4058075205239	13.5	600	3000	-20...+40	220-240	63	50/60	>0.5
<b>ENDURA® STYLE Square 13.5W DG</b>	4058075205253	13.5	480	3000	-20...+40	220-240	63	50/60	>0.5
<b>ENDURA® STYLE Square 13.5W WT</b>	4058075205277	13.5	600	3000	-20...+40	220-240	63	50/60	>0.5





	EAN	This product contains a light source of energy efficiency class	Contained Light Source
ENDURA® STYLE RING RD 13.5W DG SLR	4058075205215	E	
ENDURA® STYLE RING RD 13.5W WT SLR	4058075205239	E	
ENDURA® STYLE SQUARE SQ 13.5W DG SLR	4058075205253	E	
ENDURA® STYLE SQUARE SQ 13.5W WT SLR	4058075205277	E	



C10449057  
G11121826  
26.10.2021



LEDVANCE GmbH  
Steinerne Furt 62  
86167 Augsburg, Germany  
[www.ledvance.com](http://www.ledvance.com)