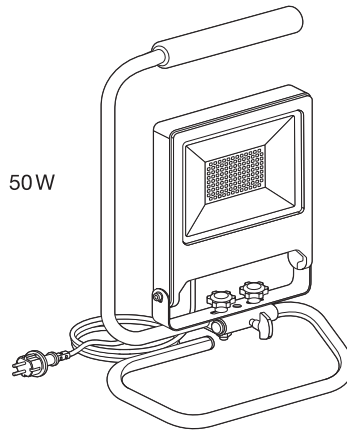
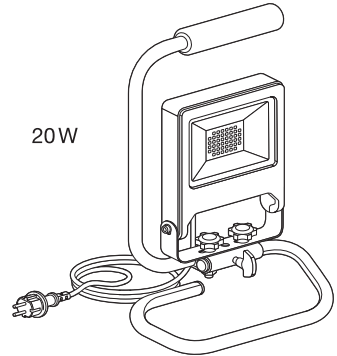
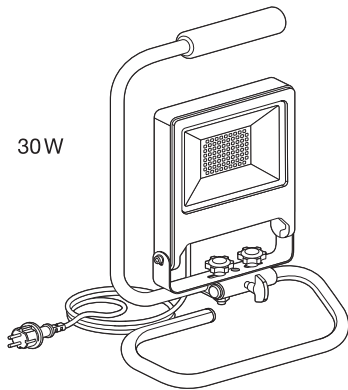

LED WORKLIGHT S-STAND

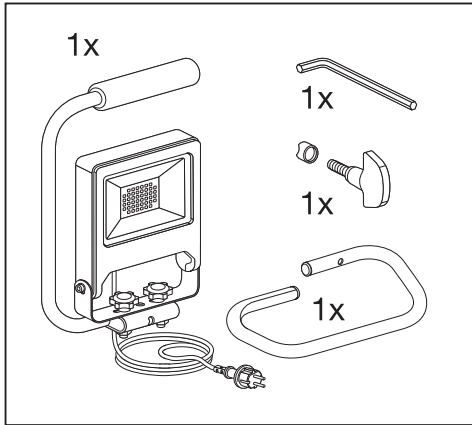



IP65

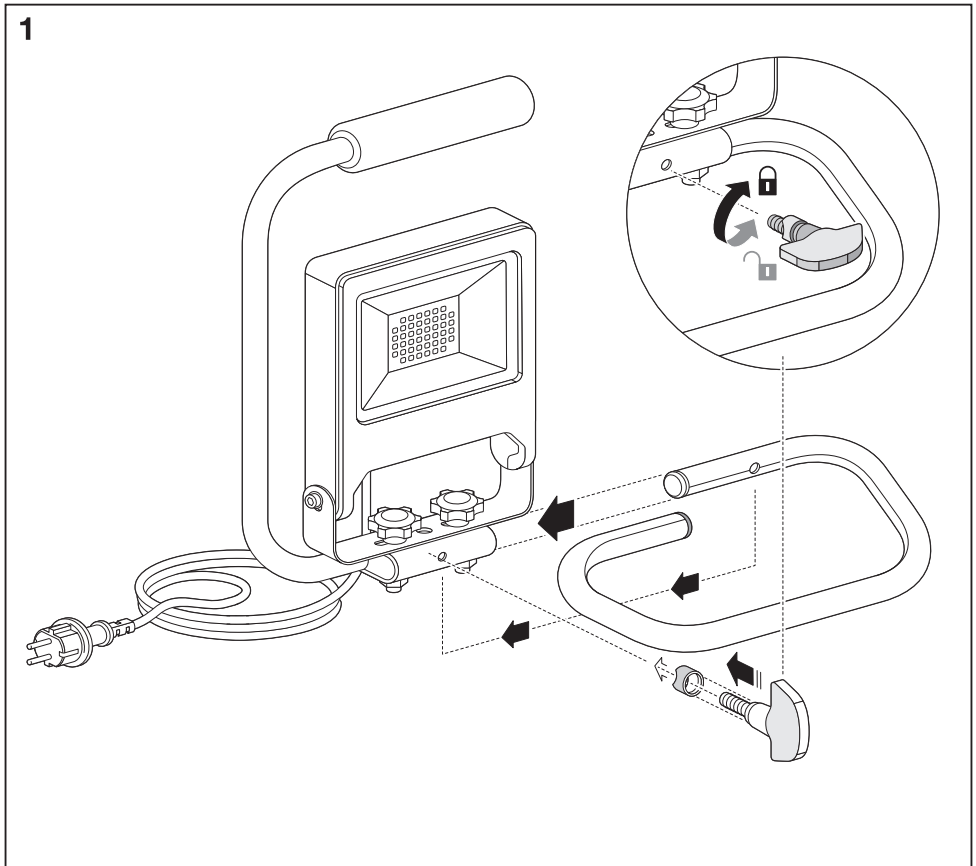


IP44

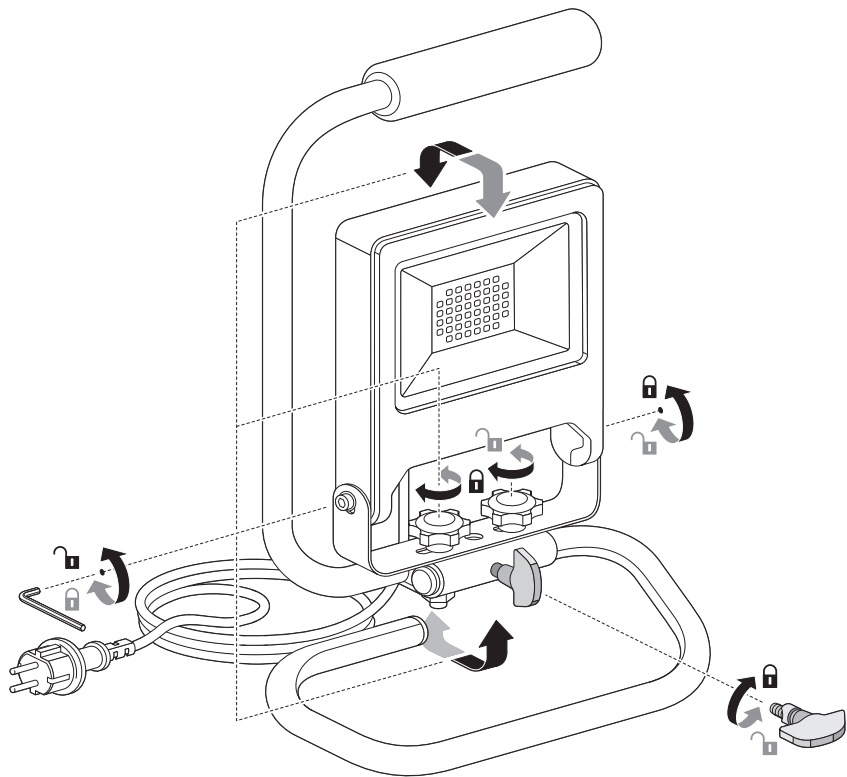
	EAN	W	lm	K	⊖(°C)	V~	mA	Hz	PF
LED WORKLIGHT 20W 840 S-STAND	4058075213838	20	1700	4000	-20...+45	220-240	92	50/60	>0.9
LED WORKLIGHT 30W 840 S-STAND	4058075213852	30	2700	4000	-20...+45	220-240	145	50/60	>0.9
LED WORKLIGHT 50W 840 S-STAND	4058075213876	50	4500	4000	-20...+45	220-240	220	50/60	>0.9



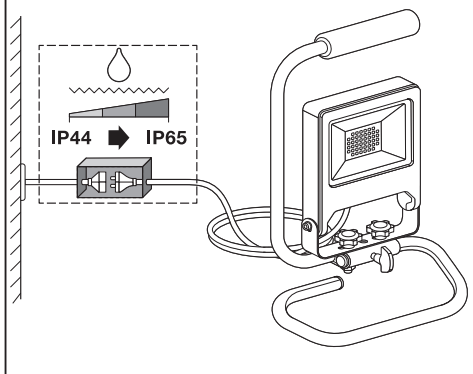
	L	W	H	
LED WORKLIGHT 20W	166	180	280	960g
LED WORKLIGHT 30W	220	210	325	1290g
LED WORKLIGHT 50W	267	272	395	1930g



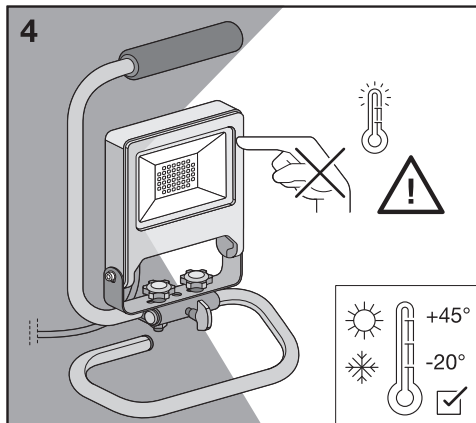
2






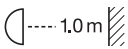
3



4



	EAN	This product contains a light source of energy efficiency class	Contained Light Source
LED WORKLIGHT 20W 840 S-STAND	4058075213838	F	
LED WORKLIGHT 30W 840 S-STAND	4058075213852	F	
LED WORKLIGHT 50W 840 S-STAND	4058075213876	F	



IP65

IP44

C10449057
G11121771
02.06.2021



LEDVANCE GmbH
Steinerne Furt 62
86167 Augsburg, Germany
www.ledvance.com