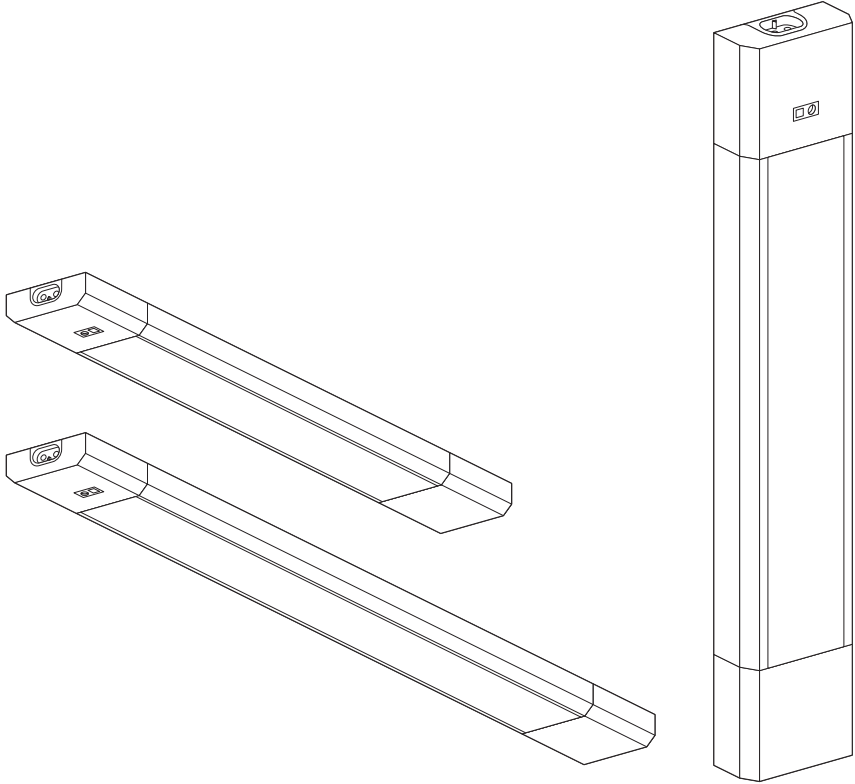
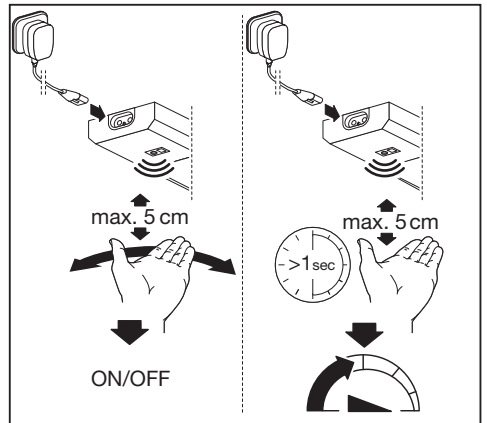
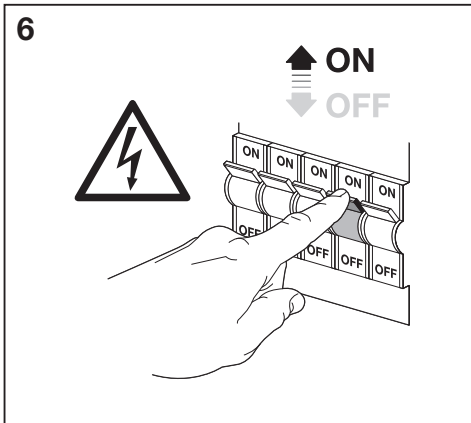
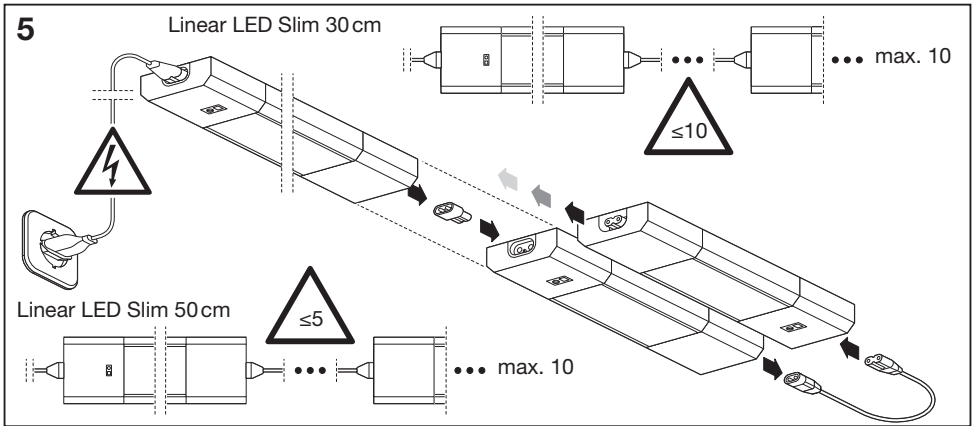
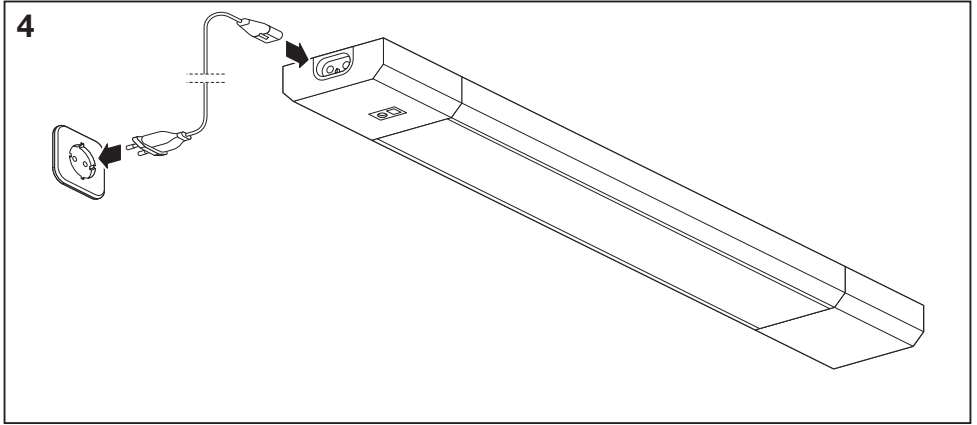



LINEAR LED SLIM



	EAN	W	lm	K	⊖ (°C)	V~	mA	Hz	PF
Linear LED Slim 30 cm	4058075227613	4	290	3000	-20...+40	220-240	40	50/60	>0.5
Linear LED Slim 50 cm	4058075227637	8	640	3000	-20...+40	220-240	80	50/60	>0.5



	EAN	This product contains a light source of energy efficiency class	Contained Light Source
Linear LED Slim 30 cm	4058075227613	F	
Linear LED Slim 50 cm	4058075227637	F	



C10449057
G11122639
30.06.2021



LEDVANCE GmbH
Steinerne Furt 62
86167 Augsburg, Germany
www.ledvance.com