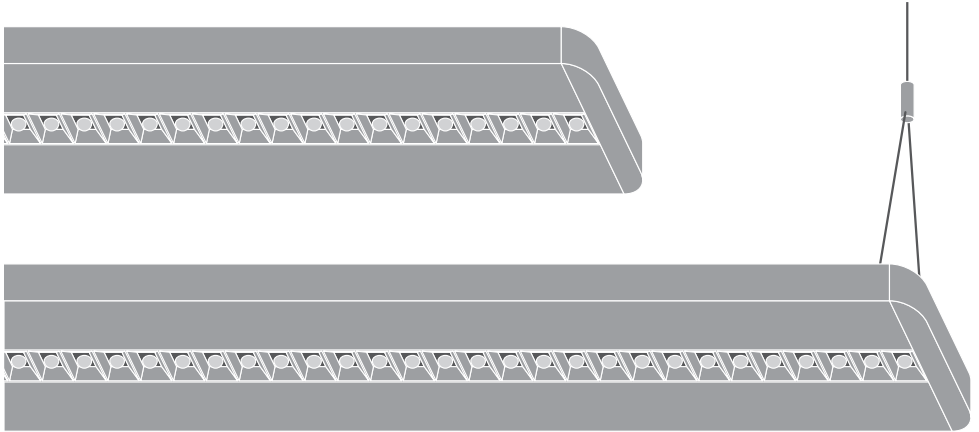


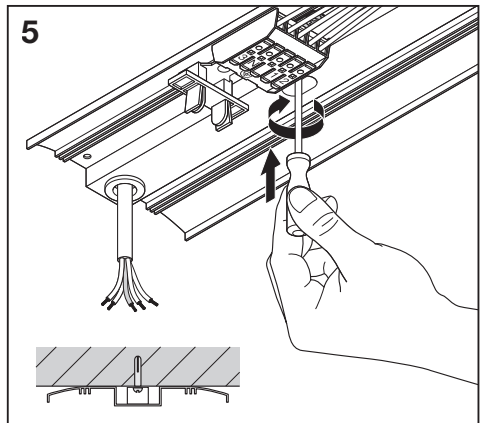
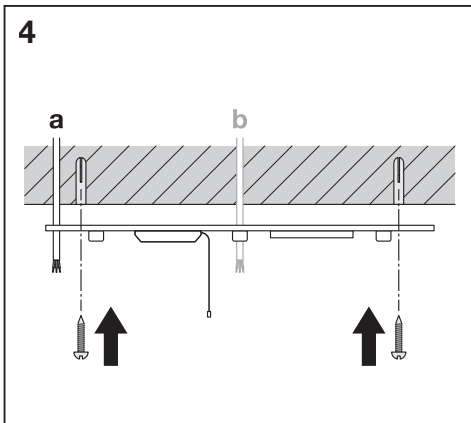
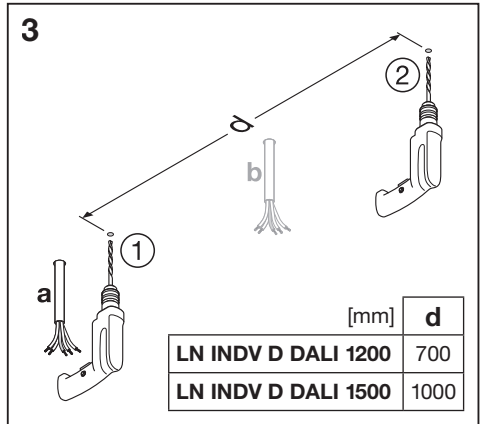
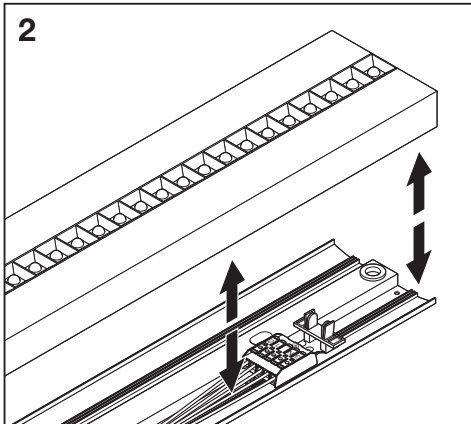
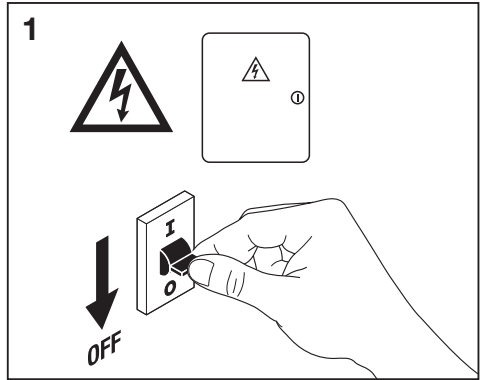
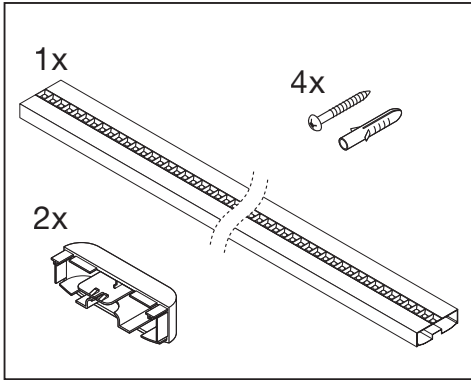
LINEAR IndiviLED® DALI

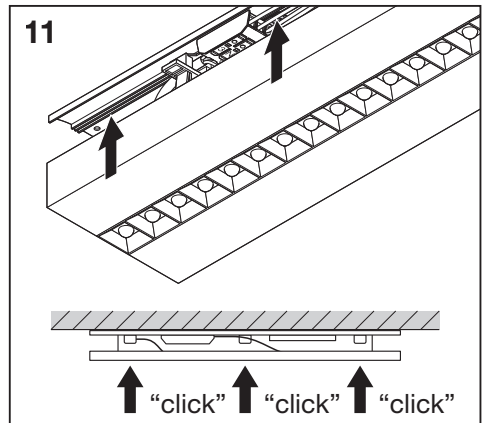
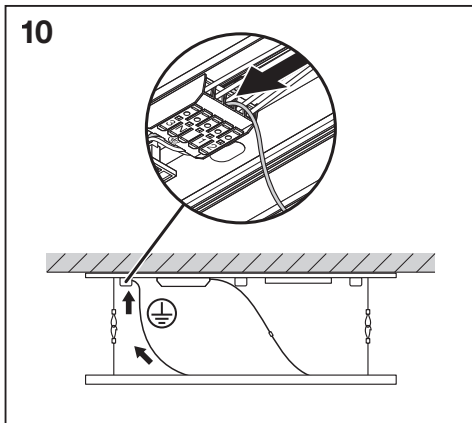
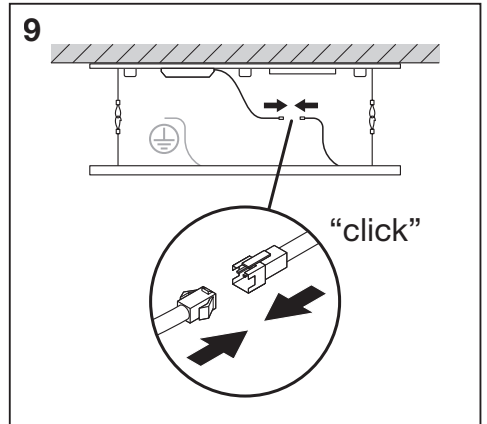
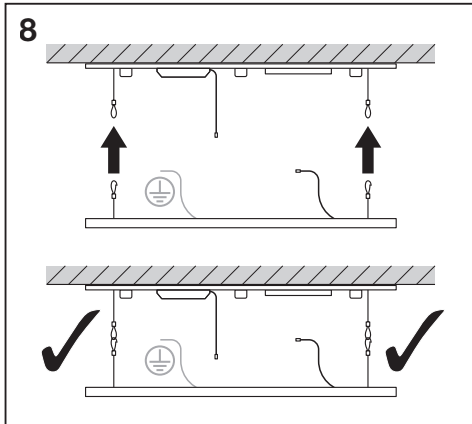
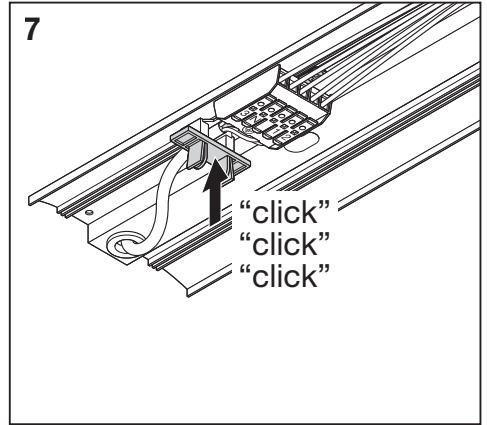
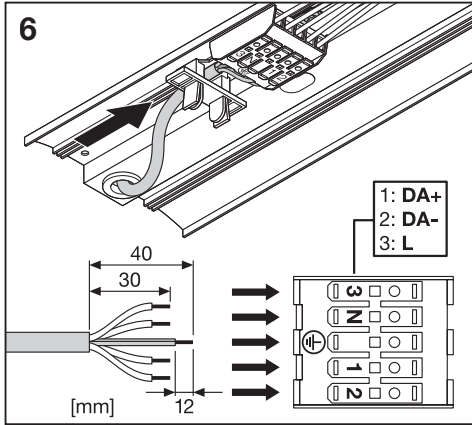


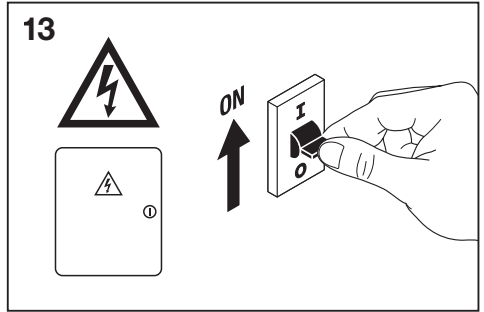
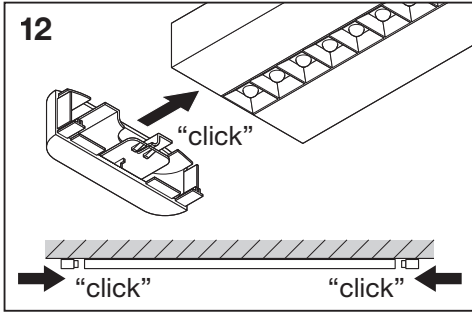
	EAN	l x w x h [mm]	W	W (230VDC)	V _{AC}	Hz	lm	lm (230VDC)
LN INDV D 1200 34W/3000K DALI	4058075503946	1199 x 120 x 40	34	6	220-240 V	0/50/60 Hz	3800	570
LN INDV D 1200 34W/4000K DALI	4058075503960	1199 x 120 x 40	34	6	220-240 V	0/50/60 Hz	4200	630
LN INDV D 1500 48W/3000K DALI	4058075503984	1488 x 120 x 40	48	8	220-240 V	0/50/60 Hz	5300	800
LN INDV D 1500 48W/4000K DALI	4058075504004	1488 x 120 x 40	48	8	220-240 V	0/50/60 Hz	5700	850

	EAN	lm/W	K	IP	IK	∇	R _a	⊕ (°C)	PF	👤
LN INDV D 1200 34W/3000K DALI	4058075503946	110	3000	20	06	70°	>80	-25...+45	>0.9	2.5 kg
LN INDV D 1200 34W/4000K DALI	4058075503960	125	4000	20	06	70°	>80	-25...+45	>0.9	2.5 kg
LN INDV D 1500 48W/3000K DALI	4058075503984	110	3000	20	06	70°	>80	-25...+45	>0.9	3.2 kg
LN INDV D 1500 48W/4000K DALI	4058075504004	120	4000	20	06	70°	>80	-25...+45	>0.9	3.2 kg

LINEAR IndiviLED® DIRECT DALI







LN INDV 1200 THROUGHWIRING KIT
EAN 4058075158030

LN INDV 1500 THROUGHWIRING KIT
EAN 4058075133365

$n \times$

LN INDV DALI 1200 THROUGHWIRING KIT
EAN 4058075158016

LN INDV DALI 1500 THROUGHWIRING KIT
EAN 4058075157996

$n \times$

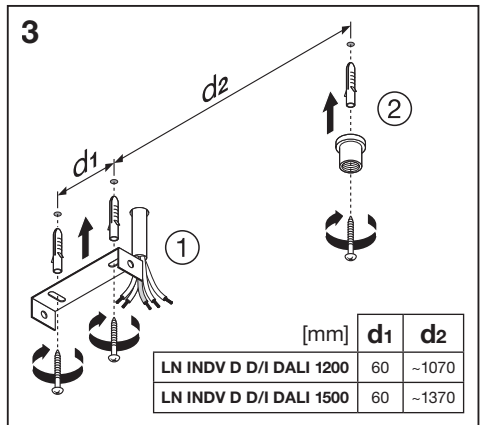
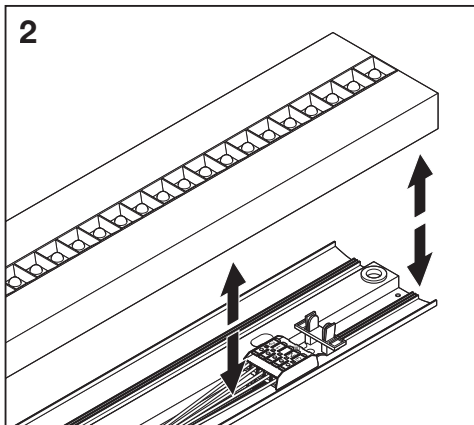
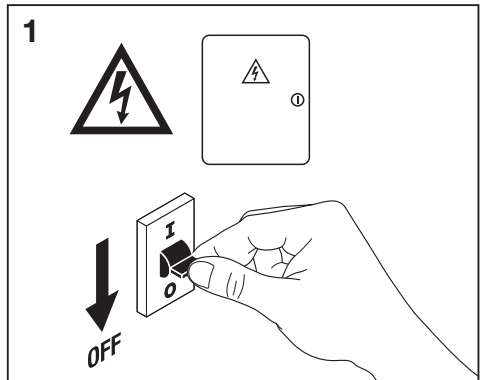
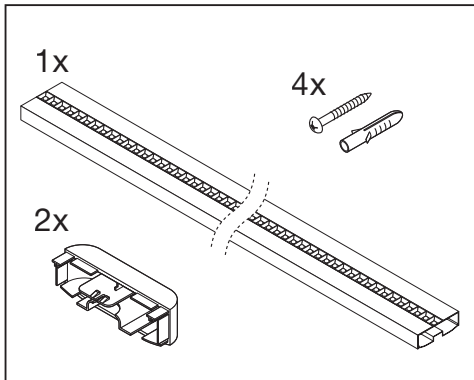
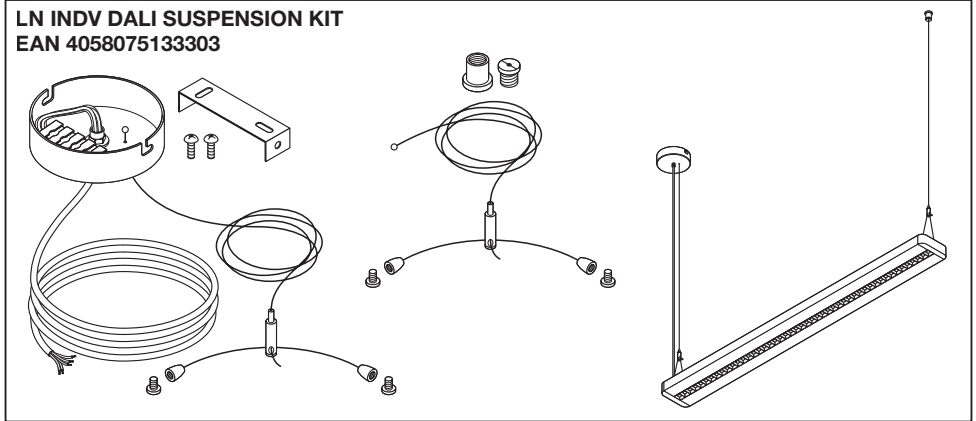
LN INDV LIGHTLINE CONNECTOR
EAN 4058075133341

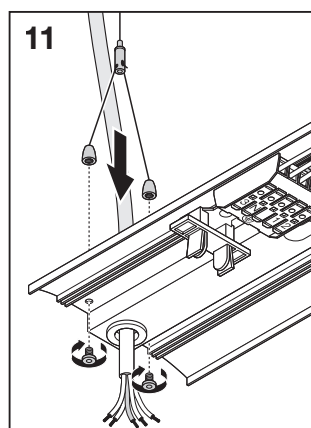
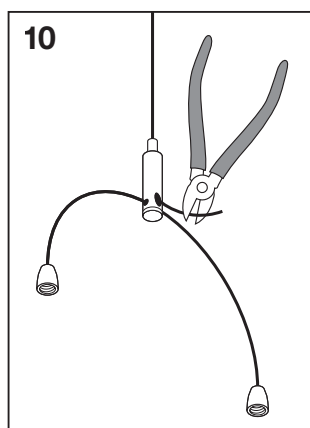
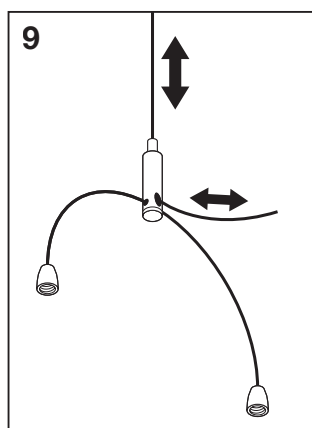
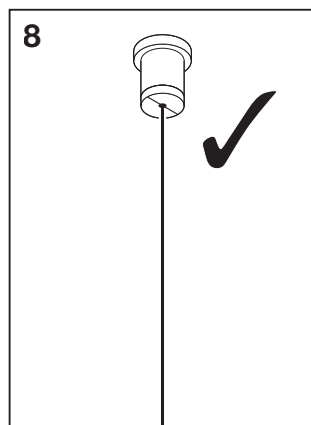
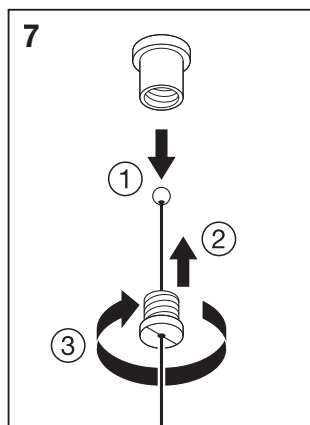
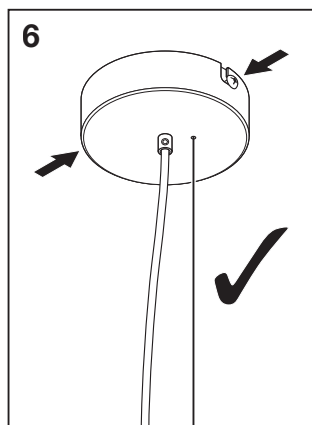
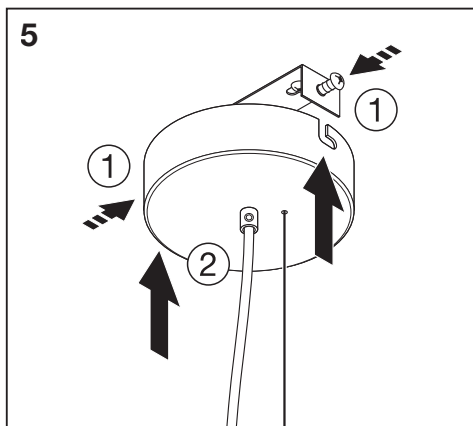
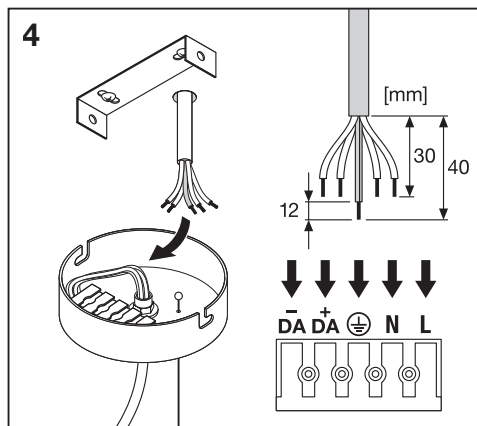
$(n-1) \times$

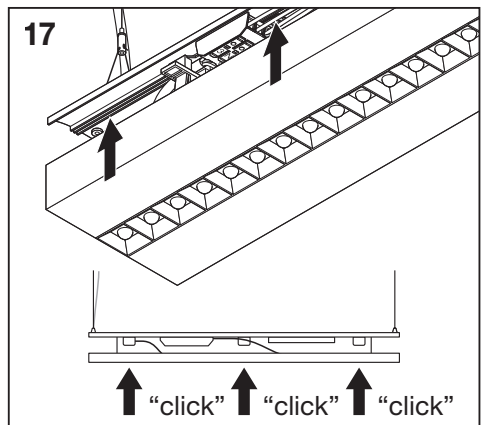
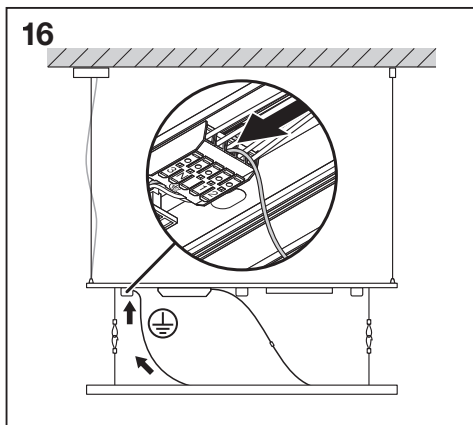
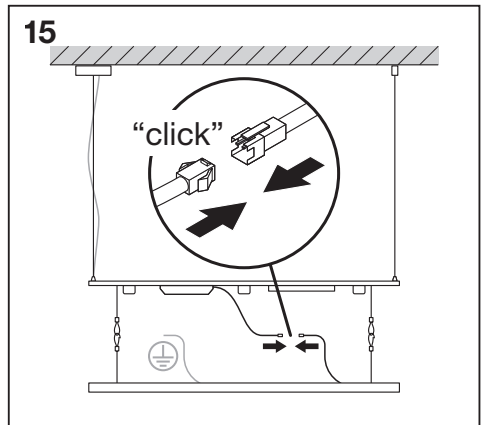
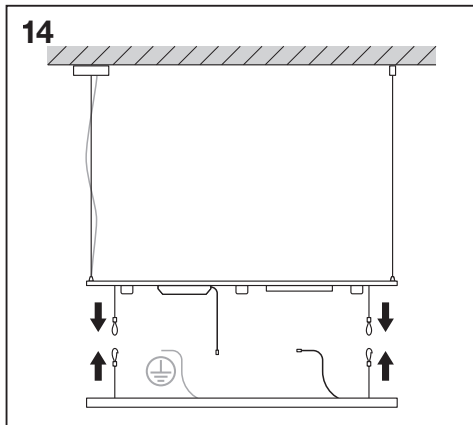
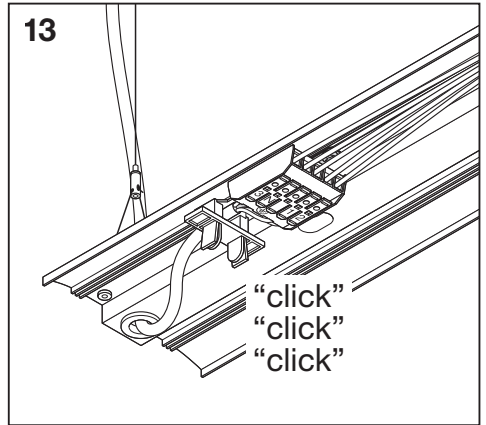
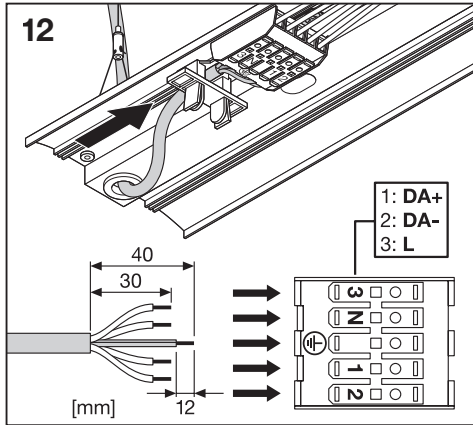
$n \times$	C10A	B16A	C16A	DALI	I _{OUT} [mA]	DIM
LN INDV D DALI 1200 34W	n = 21	n = 20	n = 33	OSRAM OTi DALI 50/220...240/1A4 NFC L	850	✓
LN INDV D DALI 1500 48W	n = 21	n = 20	n = 33	OSRAM OTi DALI 50/220...240/1A4 NFC L	1200	✓

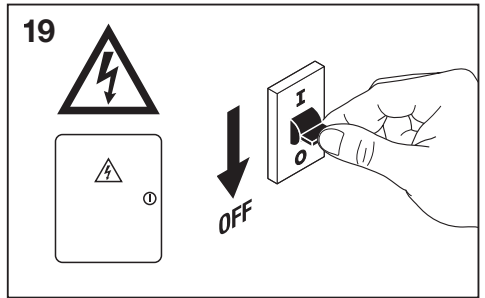
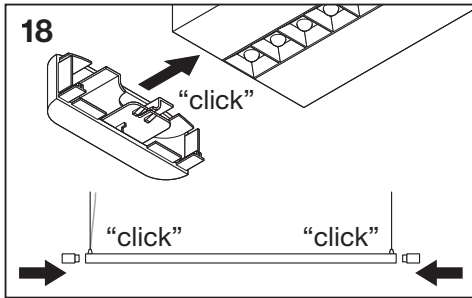
LINEAR IndiviLED® DIRECT | DIRECT / INDIRECT DALI

LN INDV DALI SUSPENSION KIT
EAN 4058075133303









LN INDV 1200 THROUGHWIRING KIT
EAN 4058075158030

LN INDV 1500 THROUGHWIRING KIT
EAN 4058075133365

$n \times$

LN INDV SUSPENSION WIRE
EAN 4058075133327

$n \times$

LN INDV LIGHTLINE CONNECTOR
EAN 4058075133341

$(n-1) \times$

LN INDV DALI 1200 THROUGHWIRING KIT
EAN 4058075158016

LN INDV DALI 1500 THROUGHWIRING KIT
EAN 4058075157996

$n \times$

	[mm]	d
LN INDV D DALI 1200 34W	1159	
LN INDV D DALI 1500 48W	1448	

$n \times$	C10A	B16A	C16A	DALI	I_{OUT} [mA]	DIM
LN INDV D DALI 1200 34W	$n=21$	$n=20$	$n=33$	OSRAM OTI DALI 50/220...240/1A4 NFC L	850	✓
LN INDV D DALI 1500 48W	$n=21$	$n=20$	$n=33$	OSRAM OTI DALI 50/220...240/1A4 NFC L	1200	✓



C10449058
G11099660
17.06.20



LEDVANCE GmbH
Steinerne Furt 62
86167 Augsburg, Germany
www.ledvance.com