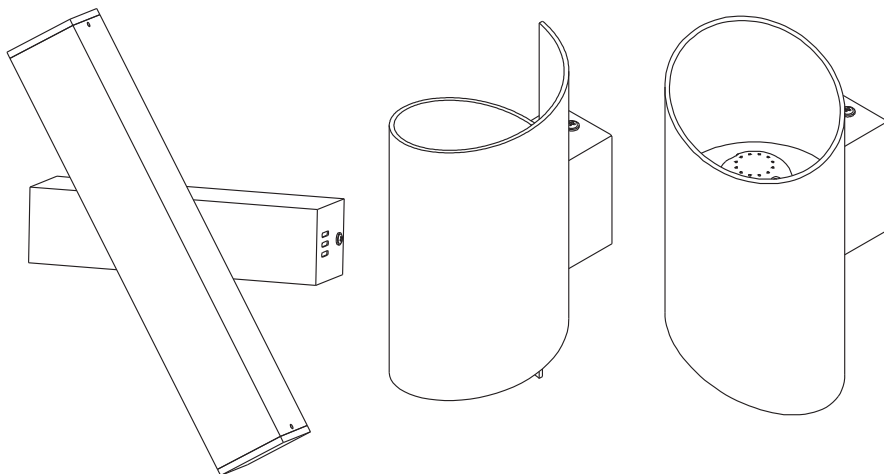


---

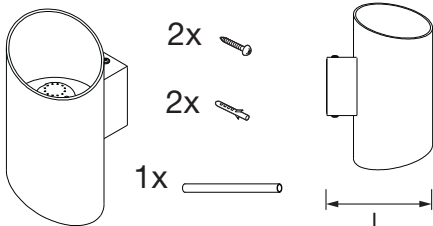
**ORBIS**


---



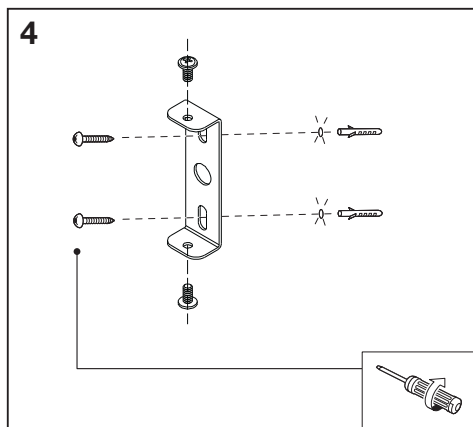
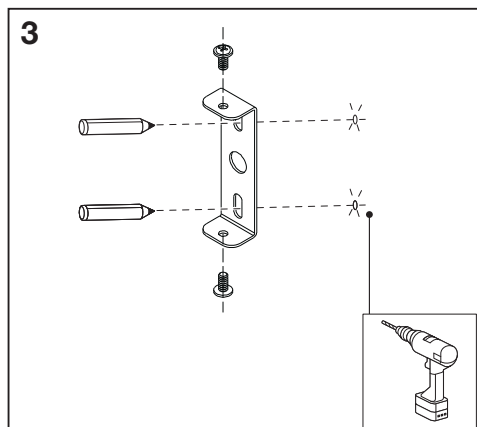
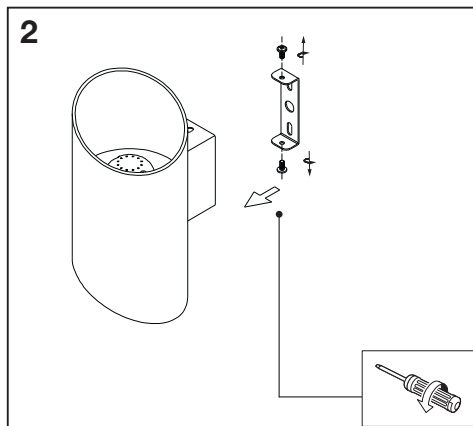
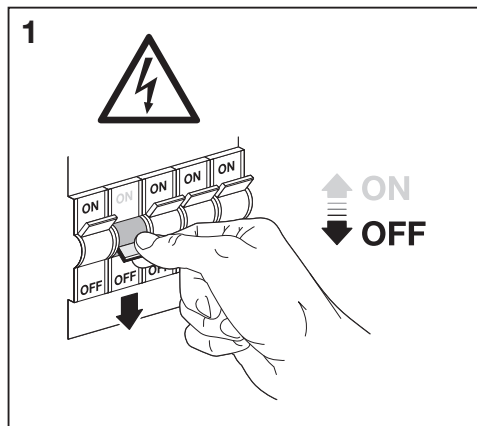
	EAN	W	Lumen module lm	Lumen output lm	K	Temp (°C)	IP	V~	mA	Hz	DF
SMART WIFI ORBISW CROSS 309X106TWBK	4058075573949	12	2x600	550	3000-6500	-20...+40	20	220-240	54	50/60	>0.7
SMART WIFI ORBISW CROSS 309X106TWWT	4058075573994	12	2x600	800	3000-6500	-20...+40	20	220-240	54	50/60	>0.7
SMART WIFI ORBISW TWIST 230X127TWBK	4058075574090	12	2x600	700	3000-6500	-20...+40	20	220-240	55	50/60	>0.7
SMART WIFI ORBISW TWIST 230X127TWWT	4058075574151	12	2x600	900	3000-6500	-20...+40	20	220-240	55	50/60	>0.7
SMART WIFI ORBISW CYLDRO 200X127TWWT	4058075574175	12	2x600	900	3000-6500	-20...+40	20	220-240	55	50/60	>0.7
SMART WIFI ORBISW CYLDRO 200X127TWBK	4058075574212	12	2x600	700	3000-6500	-20...+40	20	220-240	55	50/60	>0.7

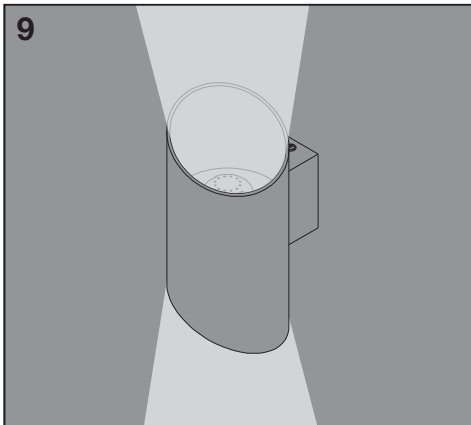
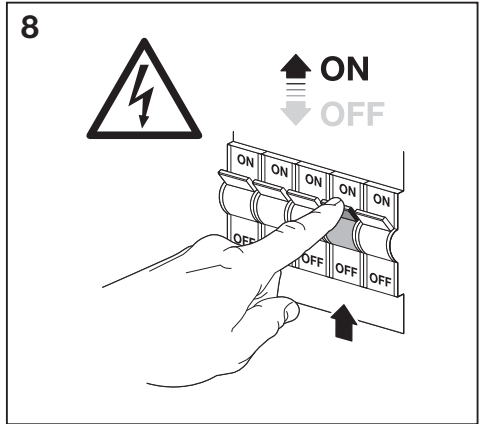
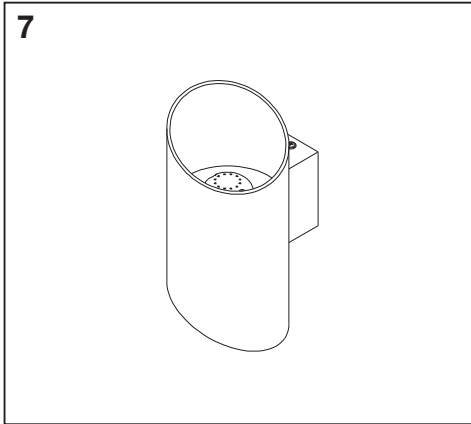
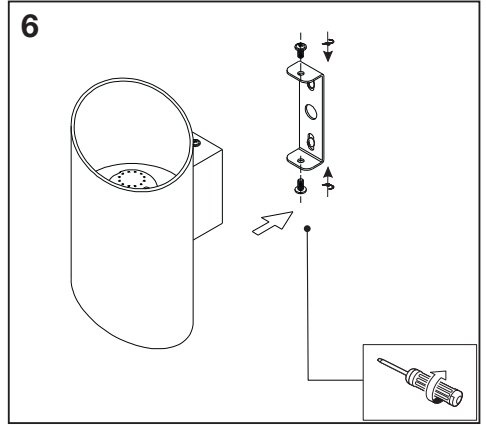
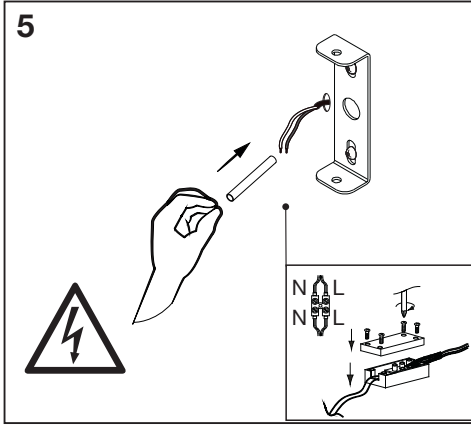
1x mm









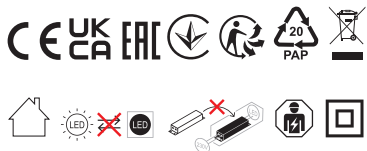
	L	W	H	g
4058075573949	50	309	106	820
4058075573994	50	309	106	820
4058075574090	127	95	230	590

	L	W	H	g	ø
4058075574151	127	95	230	590	
4058075574175	127	95	200	560	
4058075574212	127	95	200	560	





	EAN	This product contains a light source of energy efficiency class	Contained Light Source
ORBIS CROSS 309X106TWBK	4058075573949	E	Contains 2 light sources 
ORBIS CROSS 309X106TWWT	4058075573994	E	Contains 2 light sources 
ORBIS TWIST 230X127TWBK	4058075574090	E	Contains 2 light sources 
ORBIS TWIST 230X127TWWT	4058075574151	E	Contains 2 light sources 
ORBIS CYLINDRO 200X127TWWT	4058075574175	E	Contains 2 light sources 
ORBIS CYLINDRO 200X127TWBK	4058075574212	E	Contains 2 light sources 



C10449057  
G11125415  
20.07.2021



LEDVANCE GmbH  
Steinerne Furt 62  
86167 Augsburg, Germany  
[www.ledvance.com](http://www.ledvance.com)