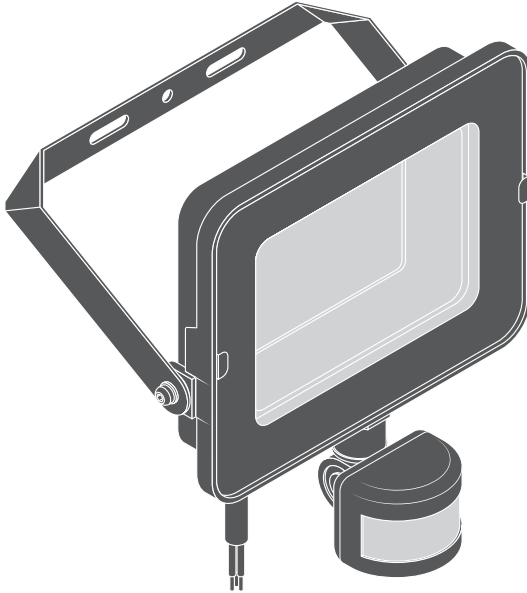
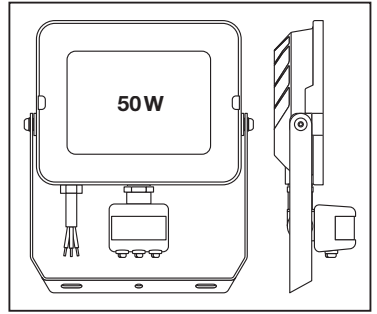
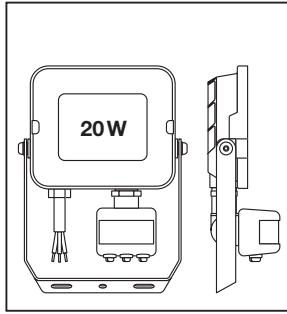
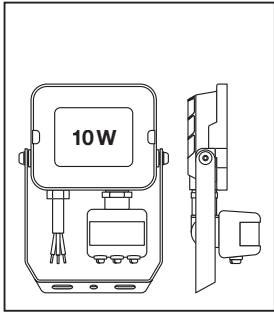


## FLOODLIGHT COMPACT SENSOR

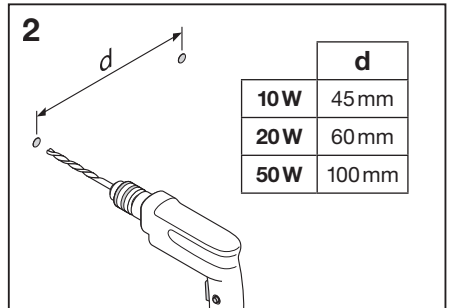
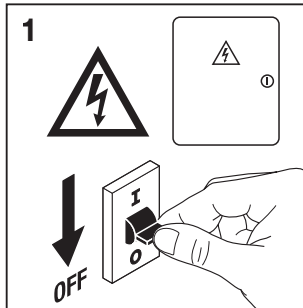
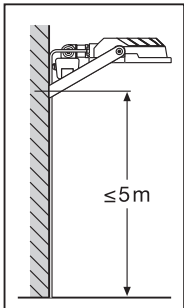
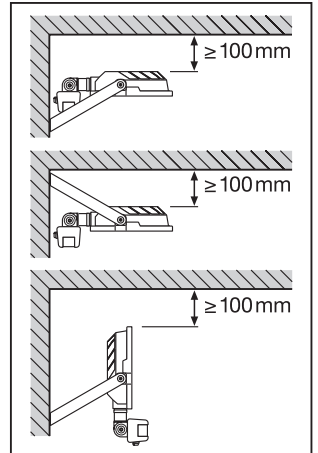
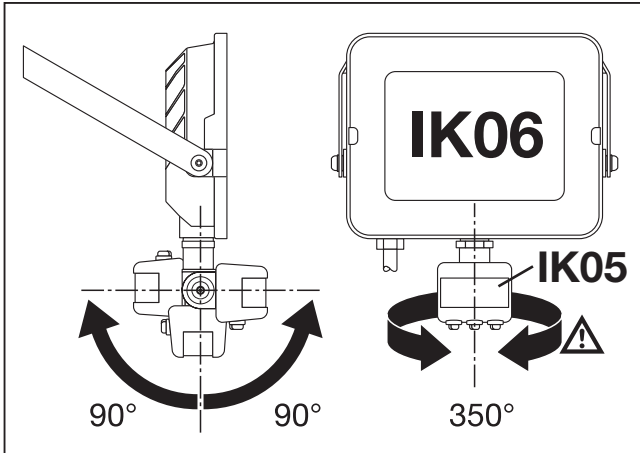


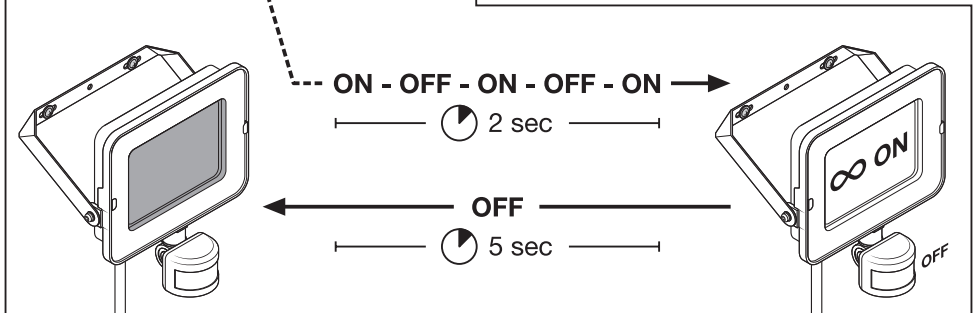
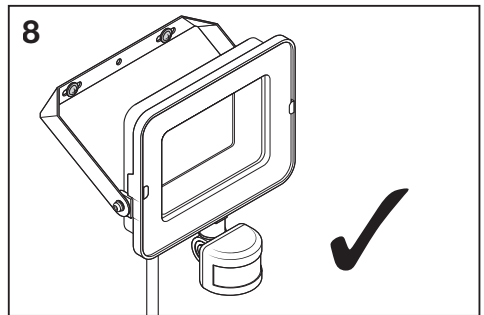
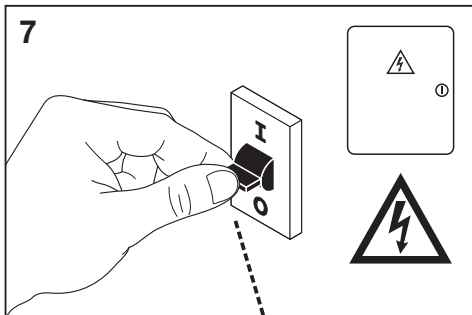
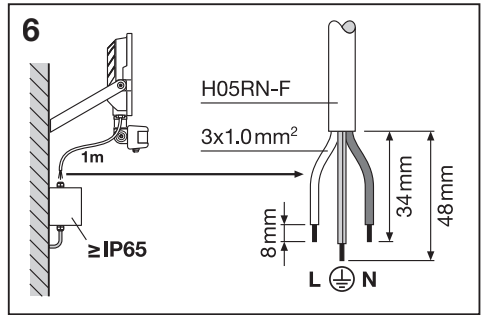
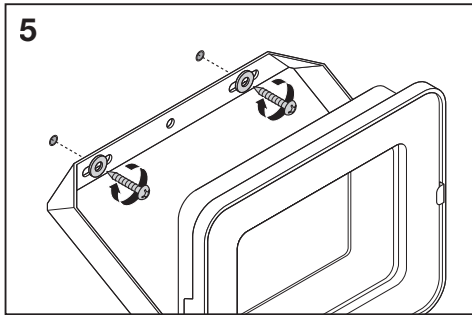
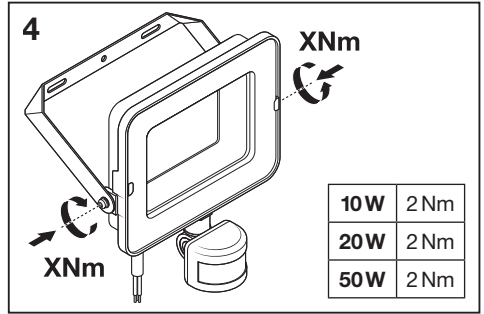
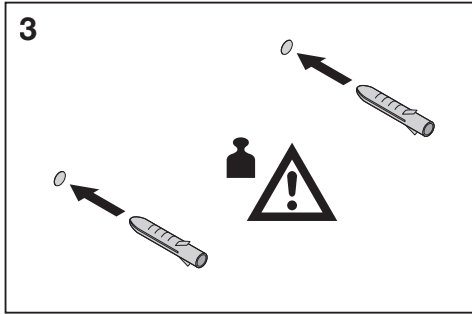
	EAN	l x w x h [mm]	W	V <sub>AC</sub>	Hz	lm	lm/W	K
FL COMP SEN V 10W 830 SYM 100 BK	4058075575226	153x109x53	10	220-240	50/60	900	90	3000
FL COMP SEN V 10W 840 SYM 100 BK	4058075575240	153x109x53	10	220-240	50/60	1000	100	4000
FL COMP SEN V 20W 830 SYM 100 BK	4058075575264	165x122x53	20	220-240	50/60	1800	90	3000
FL COMP SEN V 20W 840 SYM 100 BK	4058075575288	165x122x53	20	220-240	50/60	2000	100	4000
FL COMP SEN V 50W 830 SYM 100 BK	4058075575301	202x170x60	50	220-240	50/60	4500	90	3000
FL COMP SEN V 50W 840 SYM 100 BK	4058075575325	202x170x60	50	220-240	50/60	5000	100	4000

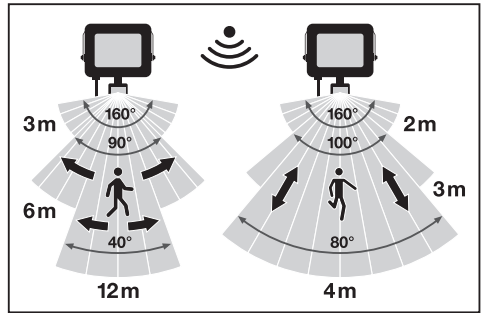
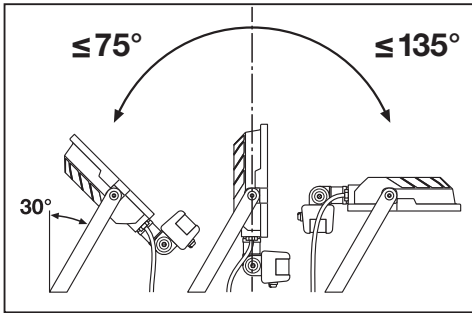
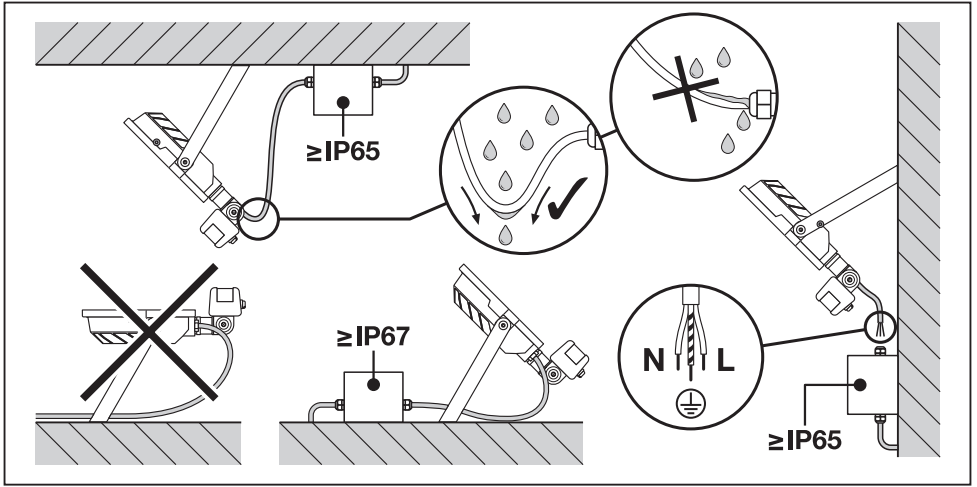
	EAN	IP	IK	∠	R <sub>a</sub>	°(°C)	PF	⚙️
FL COMP SEN V 10W 830 SYM 100 BK	4058075575226	65	06/05	100°	≥ 80	-30...+45	> 0.8	0.3kg
FL COMP SEN V 10W 840 SYM 100 BK	4058075575240	65	06/05	100°	≥ 80	-30...+45	> 0.8	0.3kg
FL COMP SEN V 20W 830 SYM 100 BK	4058075575264	65	06/05	100°	≥ 80	-30...+45	> 0.8	0.4kg
FL COMP SEN V 20W 840 SYM 100 BK	4058075575288	65	06/05	100°	≥ 80	-30...+45	> 0.8	0.4kg
FL COMP SEN V 50W 830 SYM 100 BK	4058075575301	65	06/05	100°	≥ 80	-30...+45	> 0.9	0.6kg
FL COMP SEN V 50W 840 SYM 100 BK	4058075575325	65	06/05	100°	≥ 80	-30...+45	> 0.9	0.6kg



		A	B	C		 m <sup>2</sup>	230 Vac		
							C10A	B16A	C16A
10W		55	35	5.5	2xM5	0.007 m <sup>2</sup>	116	159	185
20W		70	50	5.5	2xM5	0.009 m <sup>2</sup>	64	88	103
50W		110	90	5.5	2xM5	0.018 m <sup>2</sup>	26	36	42







	<b>SENS</b>  2.5m	<b>LUX</b> 	<b>TIME</b> 
	~2 m	< 10 lx	~10 sec ± 3 sec
	~6 m	< 100 lx	~5 min ± 2 min
	~12 m	< 2000 lx	~12 min ± 3 min



Points de collecte sur [www.quefairedemesdechets.fr](http://www.quefairedemesdechets.fr)  
 Privilégiez la réparation ou le don de votre appareil !



LEDVANCE GmbH  
 Steinerne Furt 62  
 86167 Augsburg, Germany  
[www.ledvance.com](http://www.ledvance.com)

C10449057  
 G11143238  
 17.05.22

© LEDVANCE Ltd, Aquila House  
 Delta Crescent, Westbrook, Warrington  
 WA5 7NR, United Kingdom