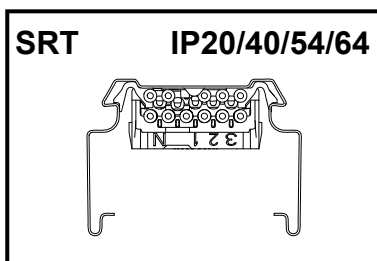


SRT-System 19... ..

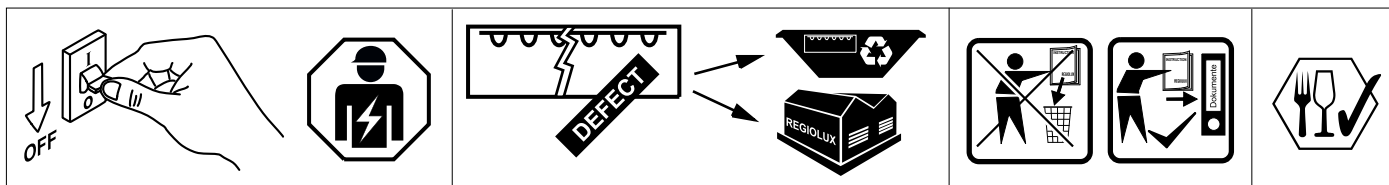
SRT 0750 7x2,5 qmm
 SRT 0750 11x2,5 qmm
 SRT 1500 7x2,5 qmm
 SRT 1500 5x2,5+6x1,5 qmm
 SRT 2250 7x2,5 qmm
 SRT 2250 5x2,5+6x1,5 qmm

SRT 0750 HFFR 7x2,5 qmm
 SRT 0750 HFFR 11x2,5 qmm
 SRT 1500 HFFR 7x2,5 qmm
 SRT 1500 HFFR 11x2,5 qmm
 SRT 2250 HFFR 7x2,5 qmm
 SRT 2250 HFFR 11x2,5 qmm

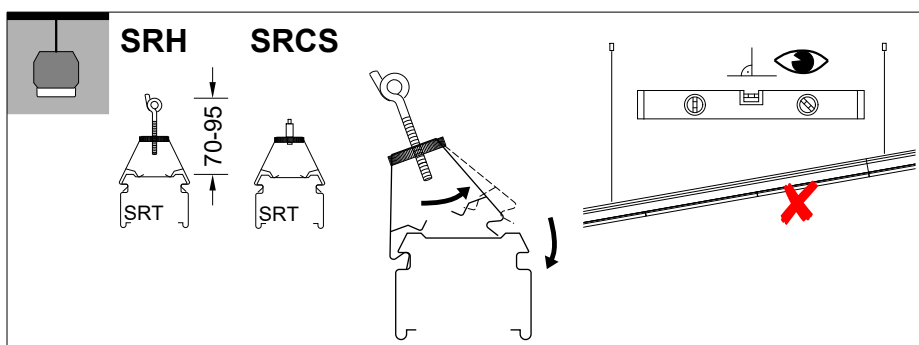
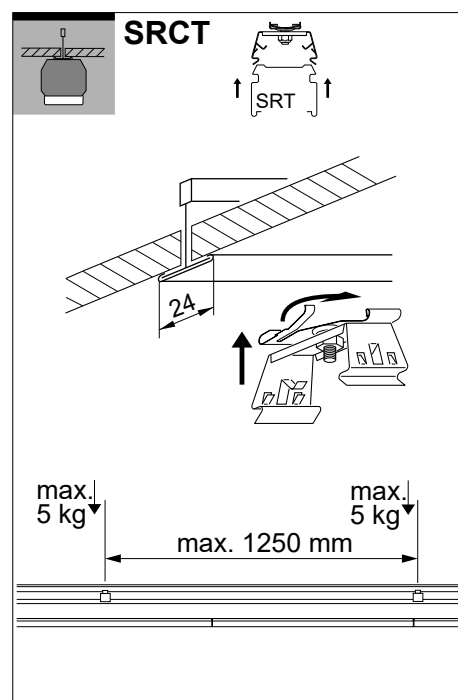
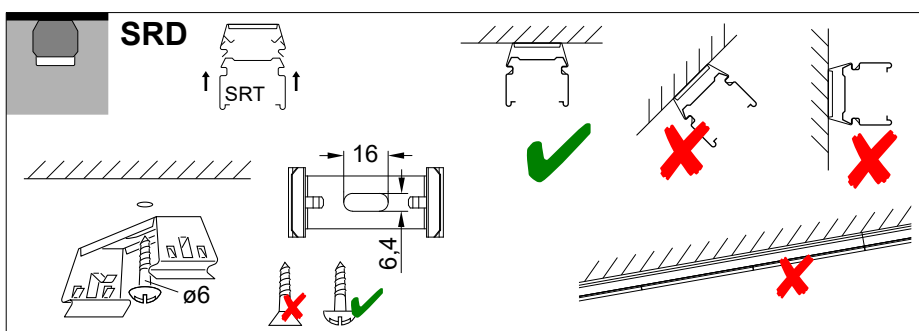
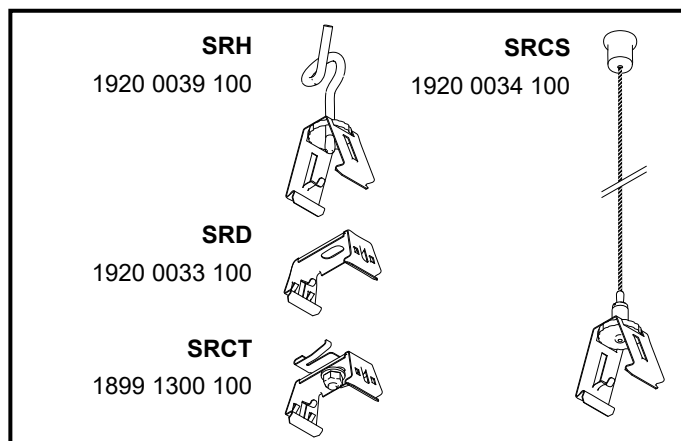


REGIOLUX

Regiolux GmbH
 Hellinger Str. 3
 D-97486 Königsberg/Bay.
 Telefon (0 95 25) 89-0
 Telefax (0 95 25) 89 73 4
 www.regiolux.de
 e-Mail: info@regiolux.de

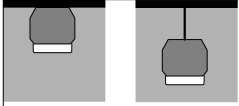


INSTRUCTION

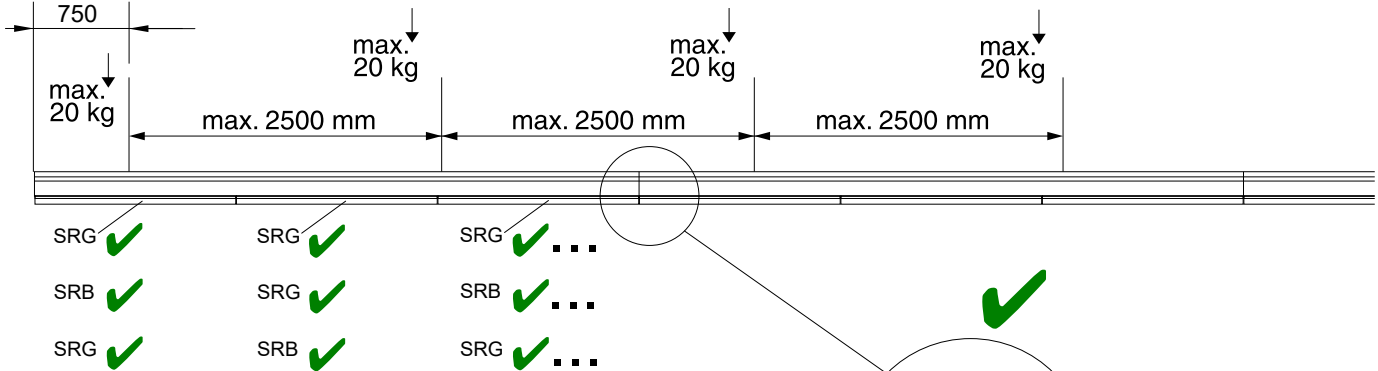


Art-Nr.: 532302 - 12/2025

INSTRUCTION

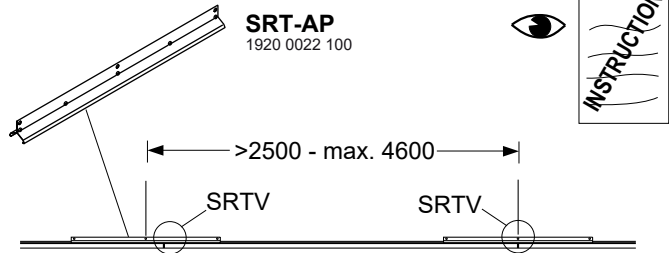
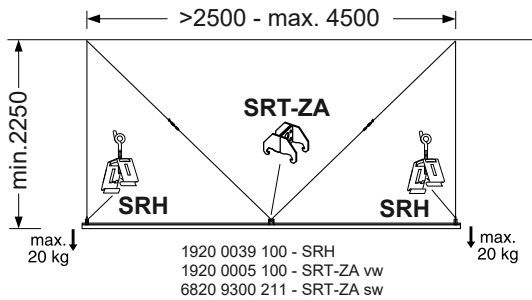
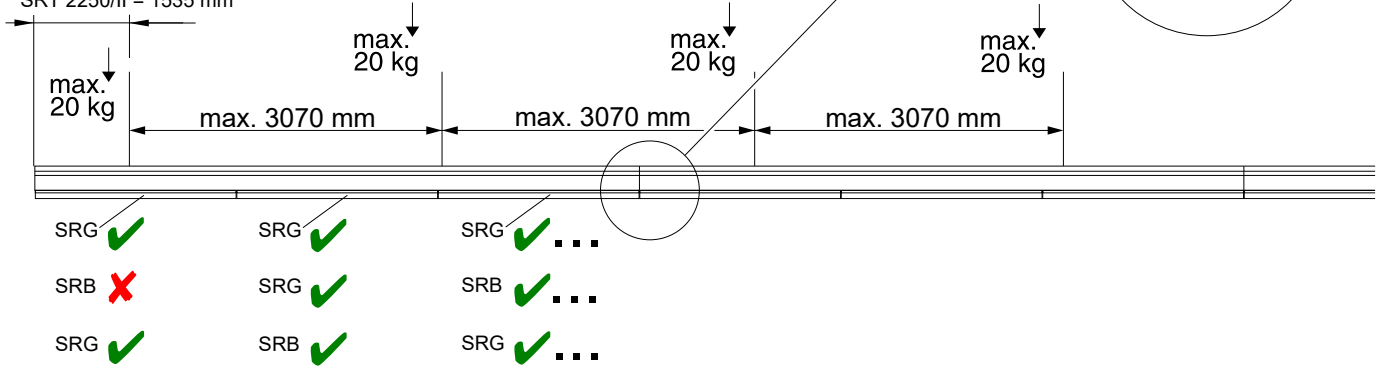


SRG... > 2,9 kg



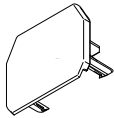
SRG.../1500 < 2,9 kg SRG.../2250

SRT 1500/I = 750 mm
SRT 1500/II = 1535 mm
SRT 1500/III = 1535 mm
SRT 2250/I = 1535 mm
SRT 2250/II = 1535 mm



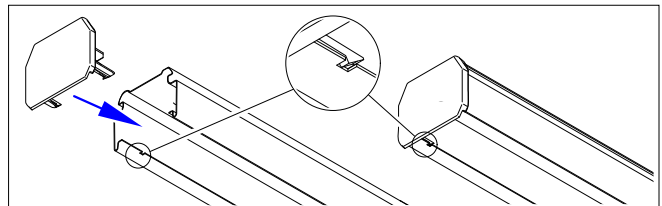
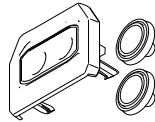
IP20

SRTE
1920 0231 10.



IP40/54/64

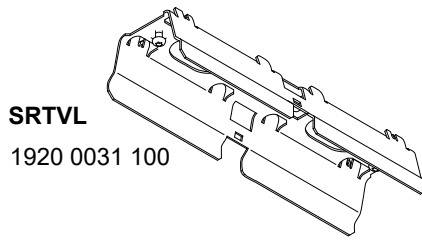
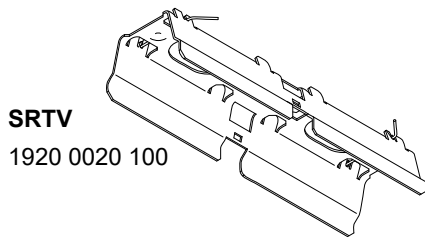
SRTES
1920 0235 10.



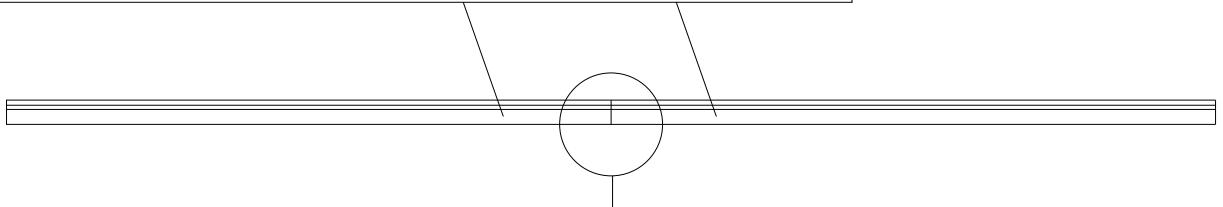
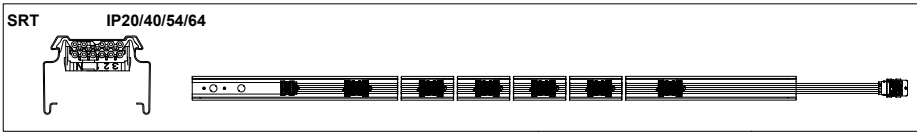
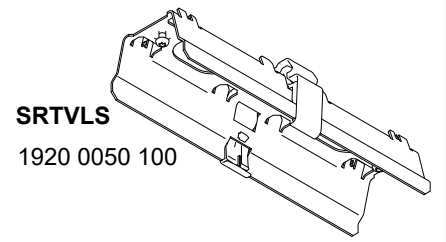
INSTRUCTION



IP20



IP40/54/64



SRTV

①

②

SRTVL/SRTVLS

max 2 Nm
Torx 20

③

④

⑤

✗

✓

✗

✓

a

b

c

✗

✓

INSTRUCTION



INSTRUCTION	SRTA-11E 1920 0085 100		SRTA-7E 1920 0084 100	

INSTRUCTION	SRT-11A / SRT-7A 1920 008. 10.	

INSTRUCTION	SRT-11A/0500 INKL. SRBK+SRTVL 1920 0013 ... SRT-7A/0500 INKL. SRBK+SRTVL 1920 0012 ...		SRT-11A/0500 INKL. SRBKS+SRTVLS IP64 1920 0015 ... SRT-7A/0500 INKL. SRBKS+SRTVLS IP64 1920 0014 ...	
	IP20	IP40/54/64		

Option A

SRTA-7E
SRTA-11E

Version	SRT/...	✓
I	SRT/...HFFR	✓

Version	SRT/...	✓
I	SRT/...HFFR	✗

Option B

SRT-7A
SRT-11A

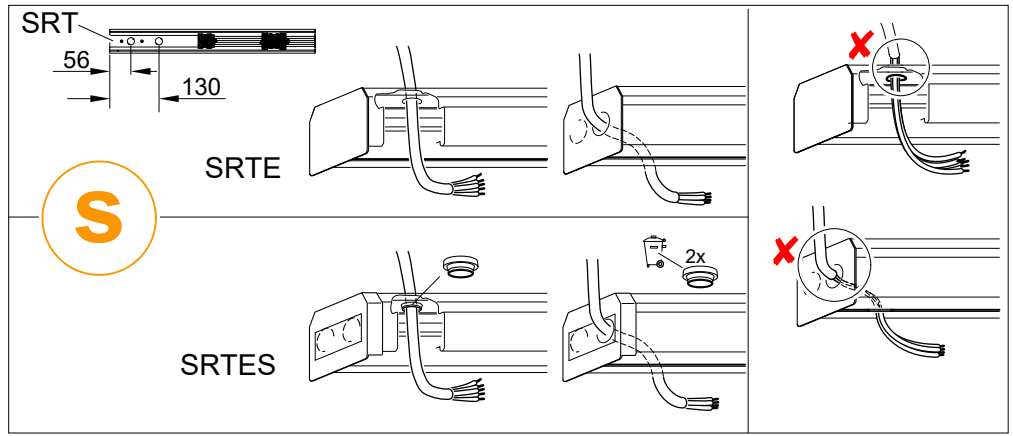
Version	SRT/...	✓
I1, I2	SRT/...HFFR	✓

Version	SRT/...	✓
I	SRT/...HFFR	✓

Option C

SRT/... ✓
SRT/...HFFR ✓

INSTRUCTION



SRTA-11E
SRTA-7E

INSTRUCTION

e

SRTA

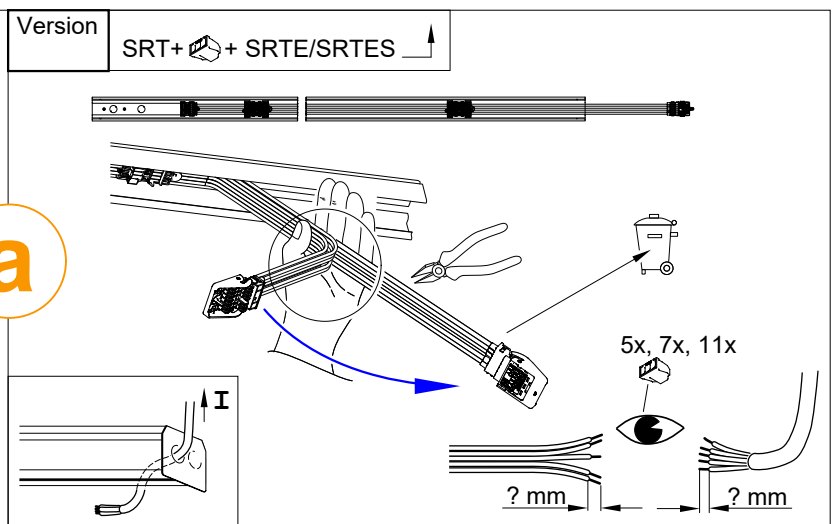
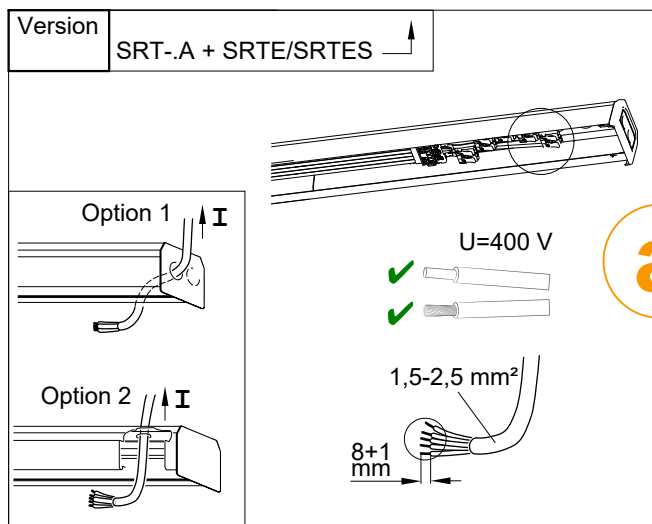
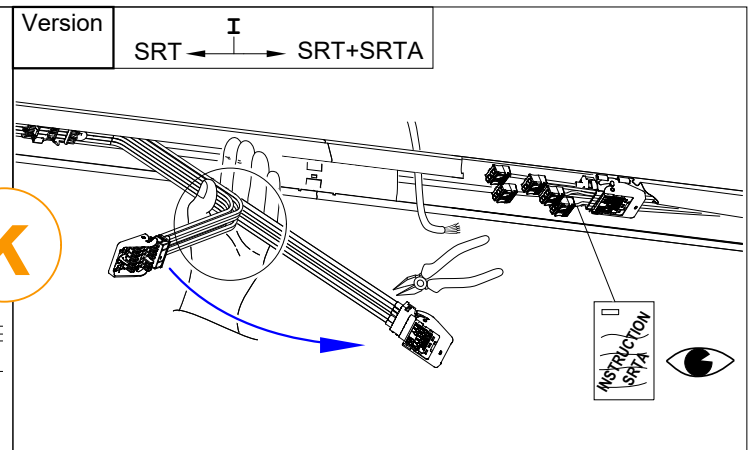
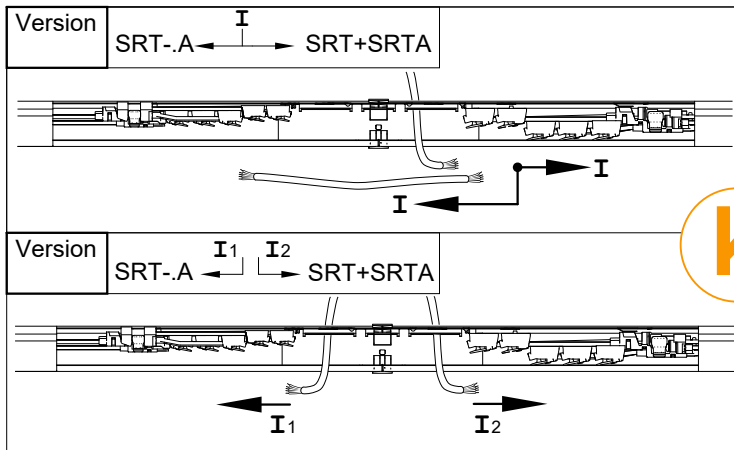
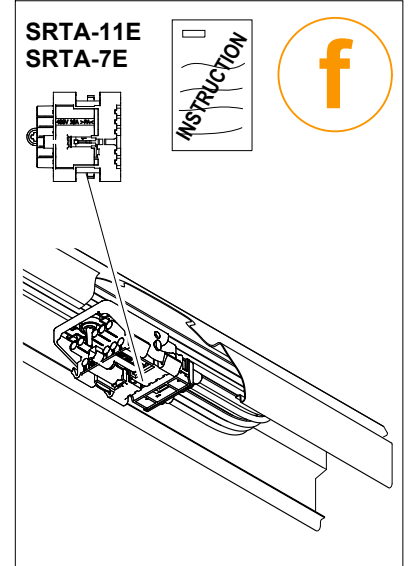
U=400 V

1,5-2,5 mm²

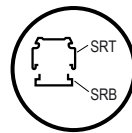
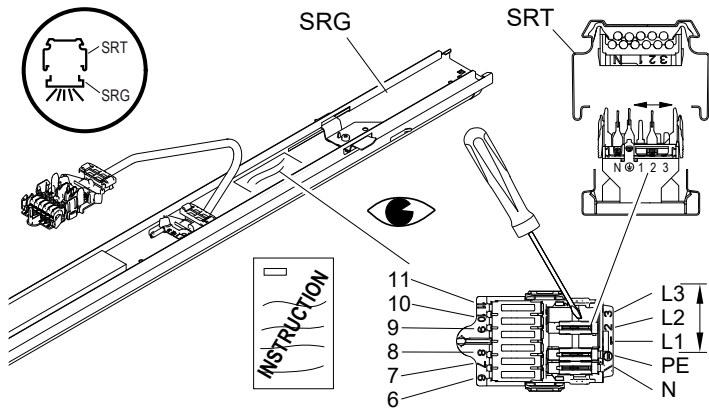
8 + 1 mm

VDE 0100

Leitung	N	PE	I max.									
			1	2	3	6	7	8	9	10	11	
			L1	L2	L3							
7 x 2,5mm ²	N		3x max. 16A	-	-	-	-	-	-	-	2x max. 6A	
5 x 2,5mm ² + 6 x 1,5mm ²	N		3x max. 16A			2x max. 4A + 4x max. 1A						
11 x 2,5mm ²	N		3x max. 16A			2x max. 4A + 4x max. 1A						

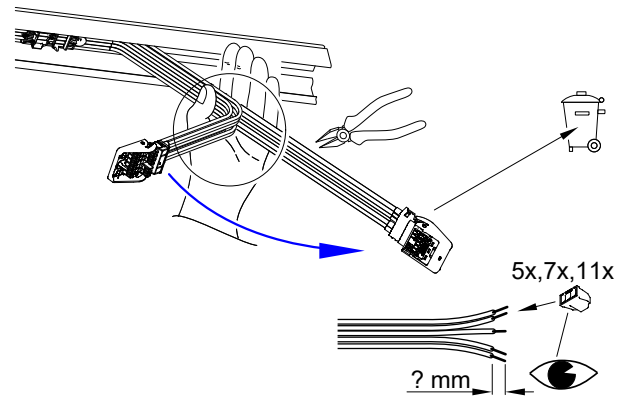
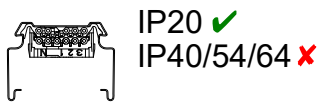


INSTRUCTION



SRBK IP20 <p>sw/black</p>	<p>SRT SRBK</p> <p>"click!"</p>
SRBKS IP40/54/64 <p>sw/black</p>	<p>SRT SRBKS</p> <p>"click!"</p>
SRBA IP20 SRBAS IP40/54/64	<p>SRT SRBA SRBAS</p> <p>"click!"</p>

Modification SRT



Demontage

