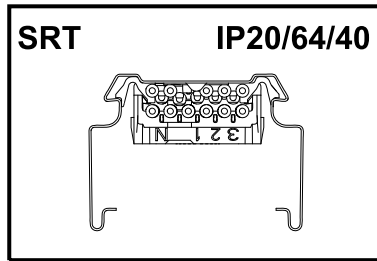


# SRT-System 19... ..

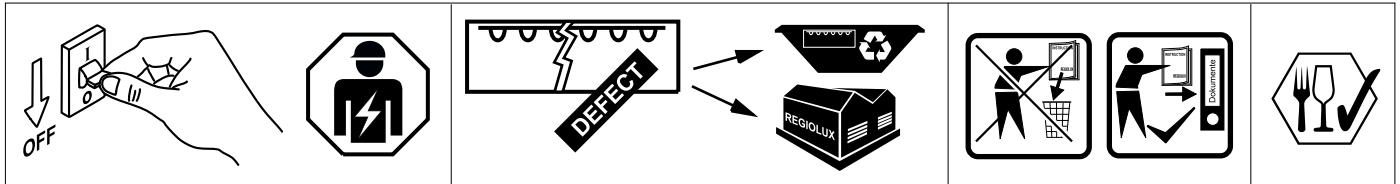
- SRT 0750 7x2,5 qmm
- SRT 0750 11x2,5 qmm
- SRT 1500 7x2,5 qmm
- SRT 1500 5x2,5+6x1,5 qmm
- SRT 2250 7x2,5 qmm
- SRT 2250 5x2,5+6x1,5 qmm

- SRT 0750 HFFR 7x2,5 qmm
- SRT 0750 HFFR 11x2,5 qmm
- SRT 1500 HFFR 7x2,5 qmm
- SRT 1500 HFFR 11x2,5 qmm
- SRT 2250 HFFR 7x2,5 qmm
- SRT 2250 HFFR 11x2,5 qmm

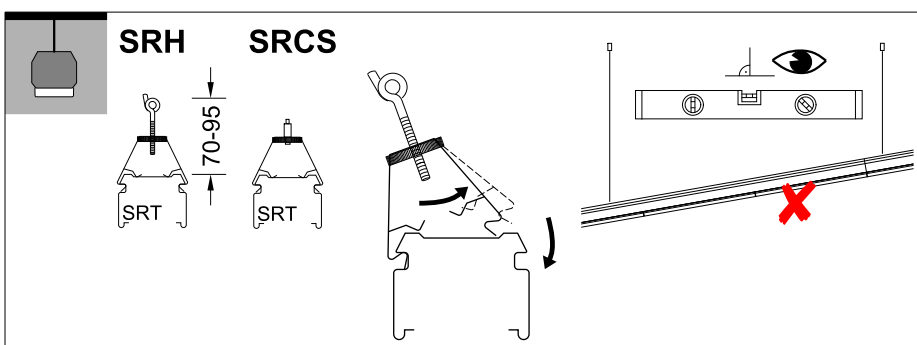
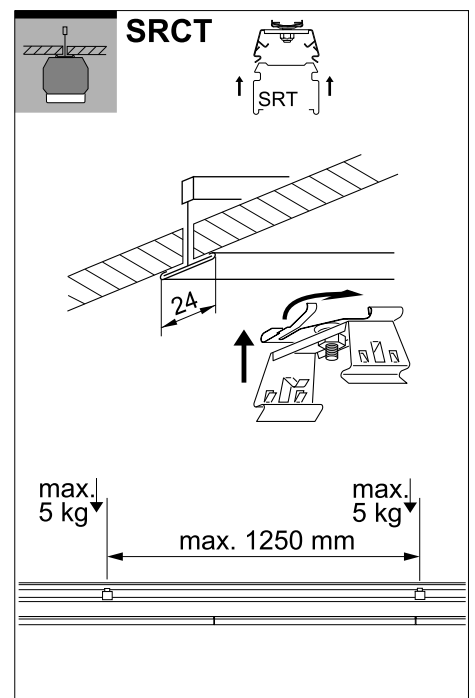
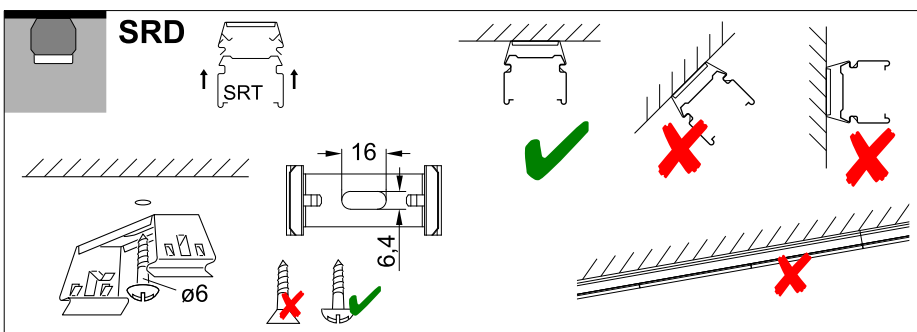
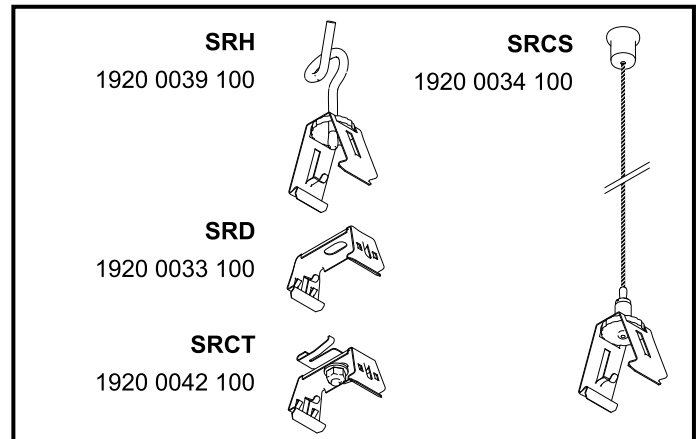


# REGIOLUX

Regiolux GmbH  
 Hellinger Str. 3  
 D-97486 Königsberg/Bay.  
 Telefon (0 95 25) 89-0  
 Telefax (0 95 25) 89 73 4  
<http://www.regiolux.de>  
 e-Mail: [info@regiolux.de](mailto:info@regiolux.de)

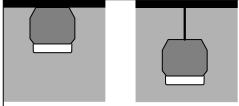


# INSTRUCTION

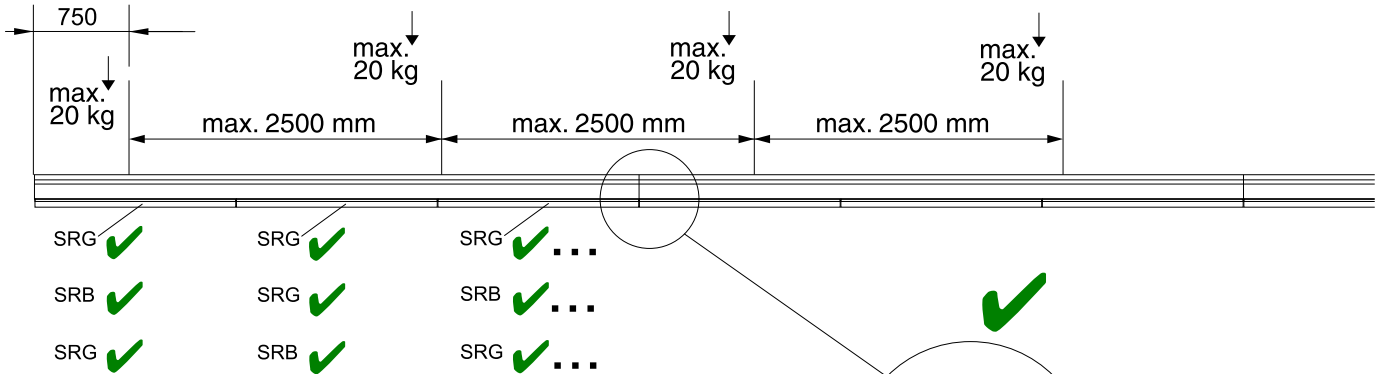


Art-Nr.: 532302 - 07/2024

# INSTRUCTION

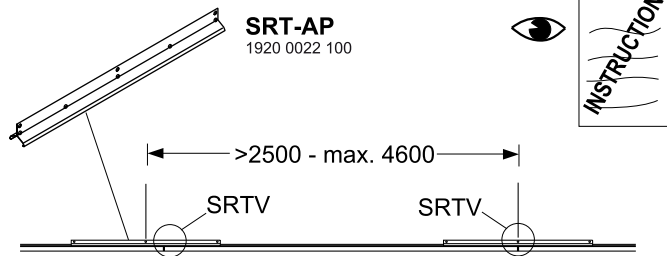
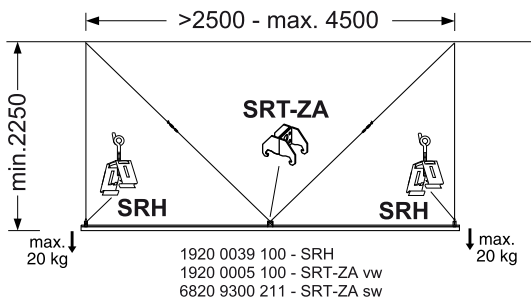
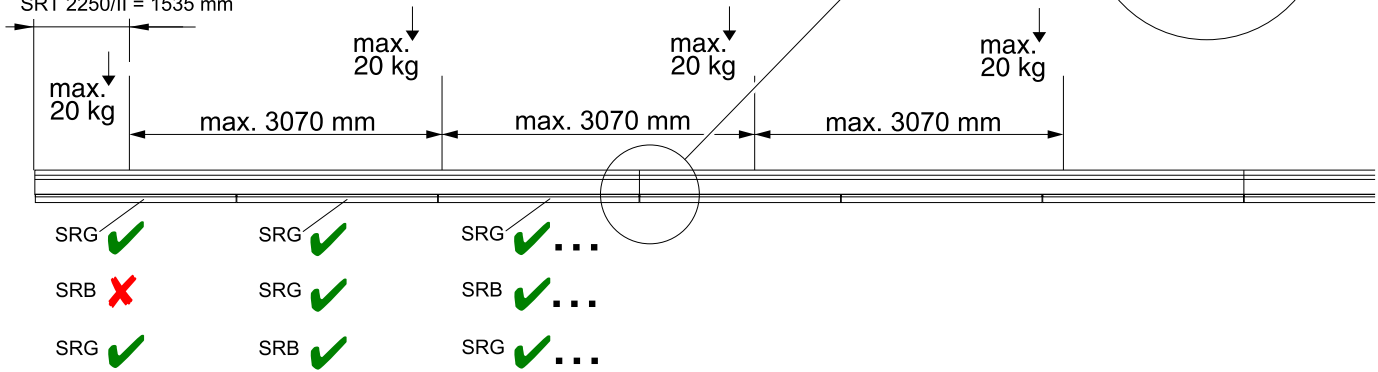


## SRG... > 2,9 kg



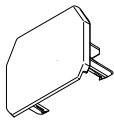
## SRG.../1500 < 2,9 kg SRG.../2250

SRT 1500/I = 750 mm  
SRT 1500/II = 1535 mm  
SRT 1500/III = 1535 mm  
SRT 2250/I = 1535 mm  
SRT 2250/II = 1535 mm



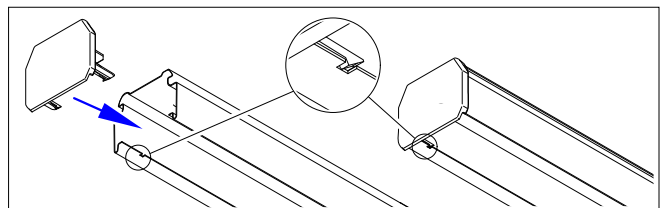
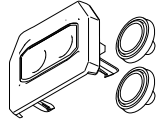
### IP20

SRTE  
1920 0231 10.



### IP40 / IP64

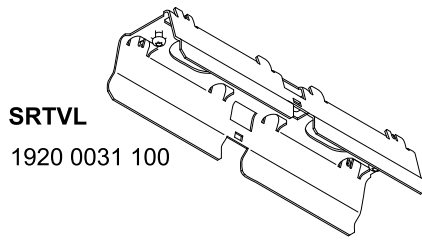
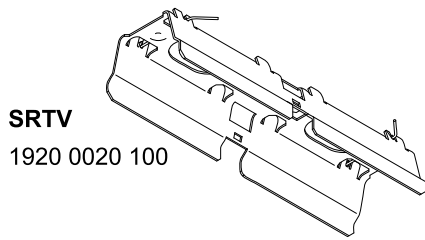
SRTES  
1920 0235 10.



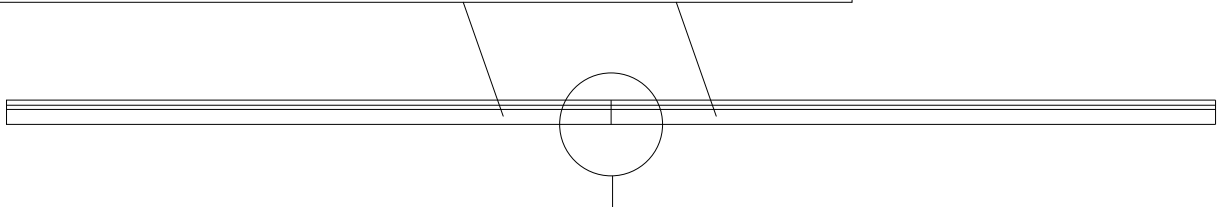
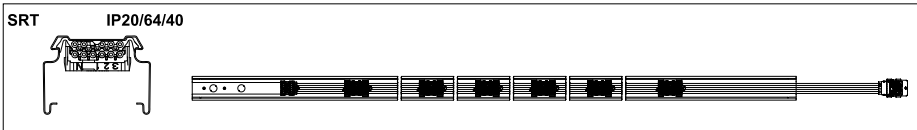
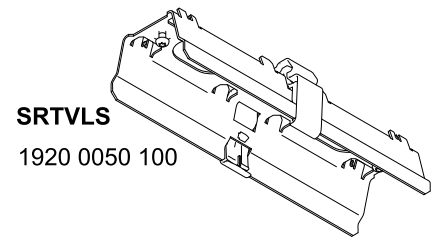
# INSTRUCTION



## IP20 / IP40



## IP64



**SRTV**

①

**SRTVL/SRTVLS**

max 2 Nm  
Torx 20

②

③

④

⑤

V

a

b

c

# INSTRUCTION



INSTRUCTION	<b>SRTA-11E</b> 1920 0085 100		<b>SRTA-7E</b> 1920 0084 100	
-------------	----------------------------------	--	---------------------------------	--

INSTRUCTION	<b>SRT-11A / SRT-7A</b> 1920 008. 10.	
-------------	---------------------------------------	--

INSTRUCTION	<b>SRT-11A/0500 INKL. SRBK+SRTVL</b> 1920 0013 ... <b>SRT-7A/0500 INKL. SRBK+SRTVL</b> 1920 0012 ... <b>IP20 / IP40</b>		<b>SRT-11A/0500 INKL. SRBKS+SRTVLS IP64</b> 1920 0015 ... <b>SRT-7A/0500 INKL. SRBKS+SRTVLS IP64</b> 1920 0014 ... <b>IP64</b>	
-------------	---	--	--	--

### Option A

**SRTA-7E**  
**SRTA-11E**

Version	SRT/...	✓
I	SRT/...HFFR	✓

Version	SRT/...	✓
I	SRT/...HFFR	✗

### Option B

**SRT-7A**  
**SRT-11A**

Version	SRT/...	✓
I <sub>1</sub> I <sub>2</sub>	SRT/...HFFR	✓

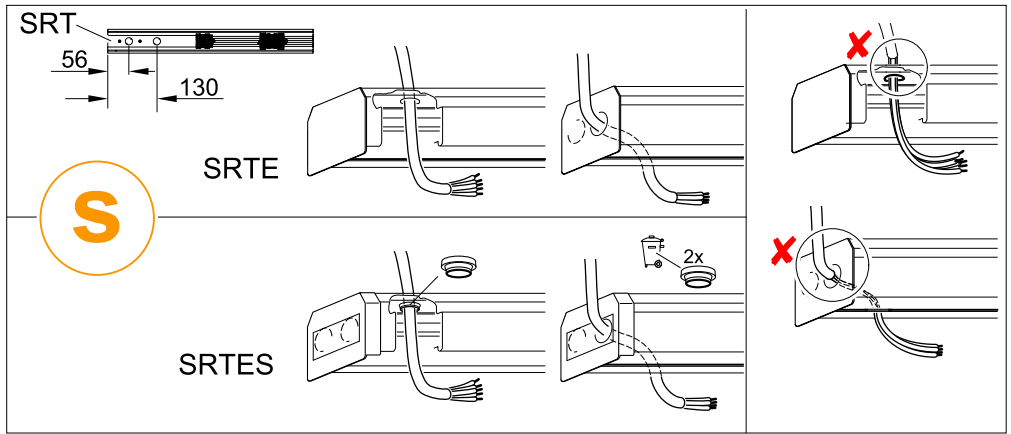
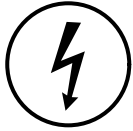
  

Version	SRT/...	✓
I	SRT/...HFFR	✓

### Option C

SRT/... ✓  
SRT/...HFFR ✓

# INSTRUCTION



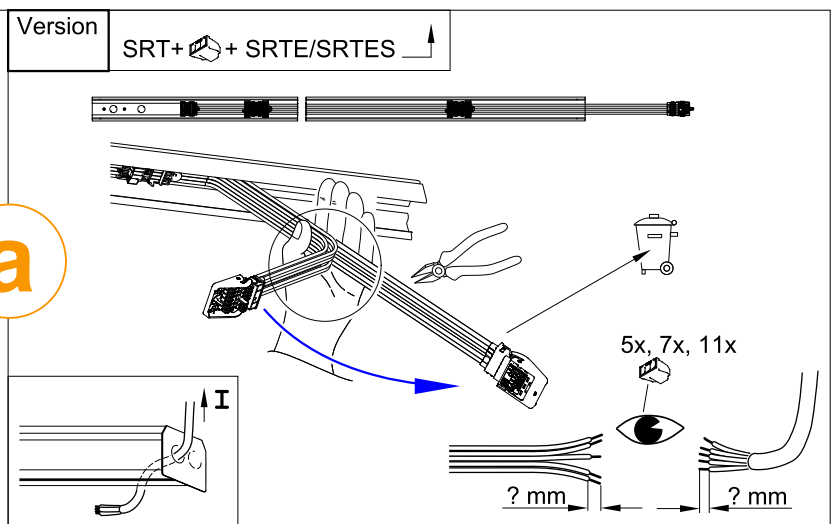
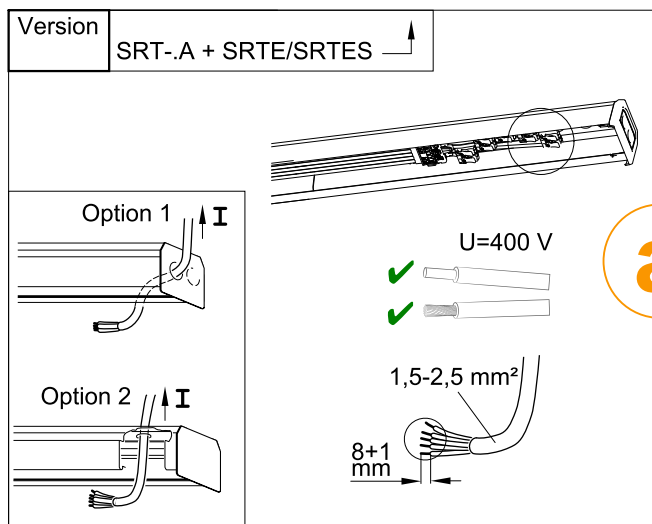
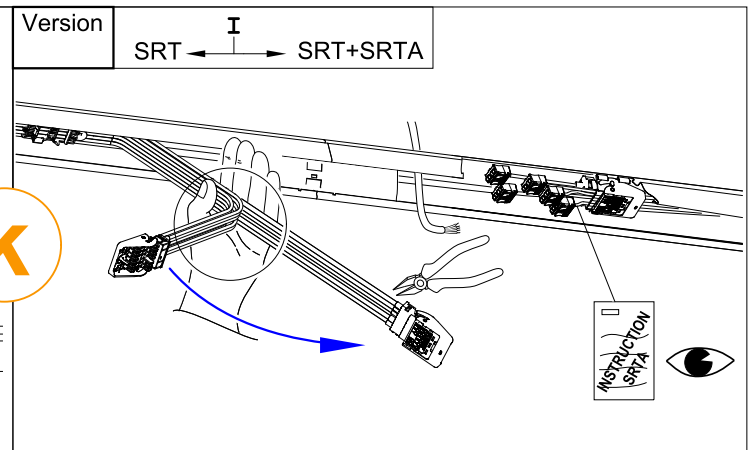
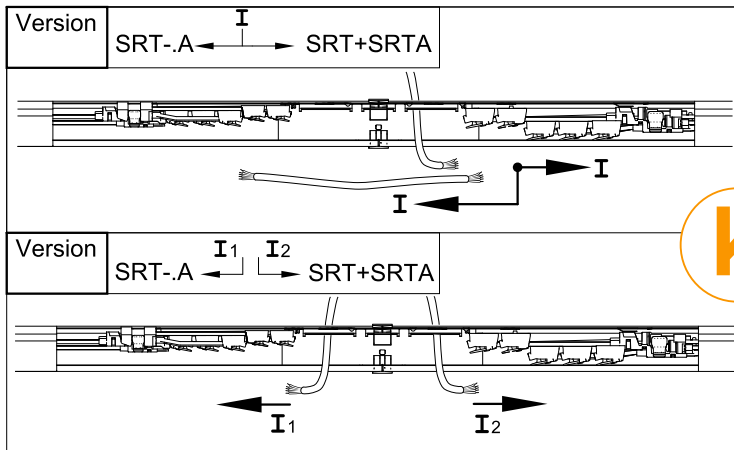
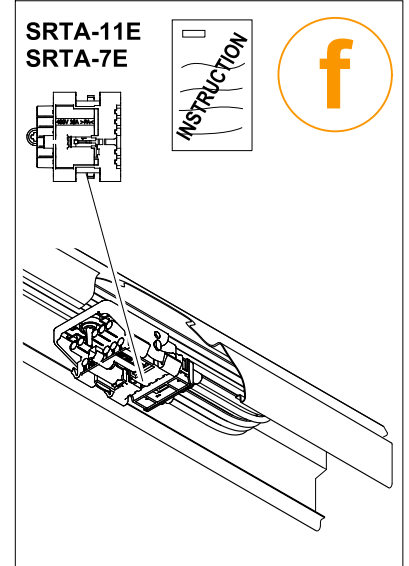
**SRTA-11E**  
**SRTA-7E**

**e**

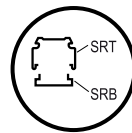
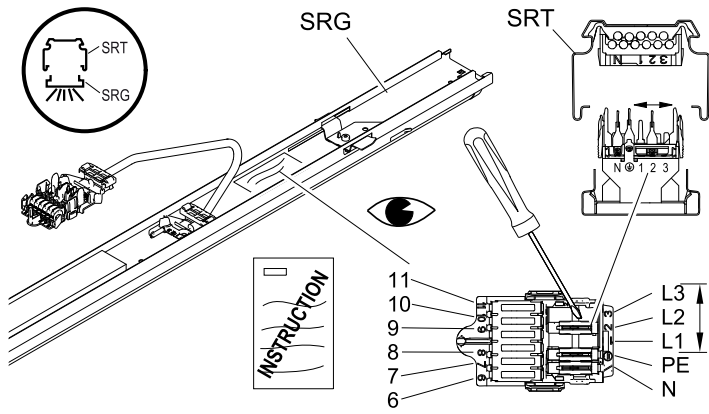
**SRTA**

U=400 V  
1,5-2,5 mm<sup>2</sup>  
8 + 1 mm  
VDE 0100

Leitung	N	PE	I max.									
			1	2	3	6	7	8	9	10	11	
			L1	L2	L3							
7 x 2,5mm <sup>2</sup>	N		3x max. 16A			-	-	-	-	-	2x max. 6A	
5 x 2,5mm <sup>2</sup> + 6 x 1,5mm <sup>2</sup>	N		3x max. 16A			2x max. 4A + 4x max. 1A						
11 x 2,5mm <sup>2</sup>	N		3x max. 16A			2x max. 4A + 4x max. 1A						

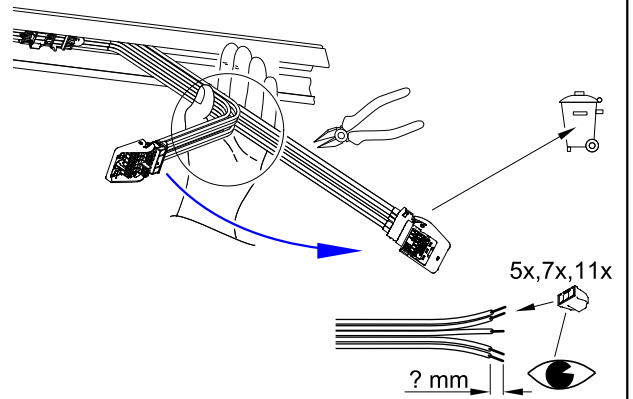


# INSTRUCTION



<b>SRBK IP20</b> 	
<b>SRBKS IP64 / IP40</b> 	
<b>SRBA IP20</b> <b>SRBAS IP64 / IP40</b> 	

## Modification SRT



## Demontage

