

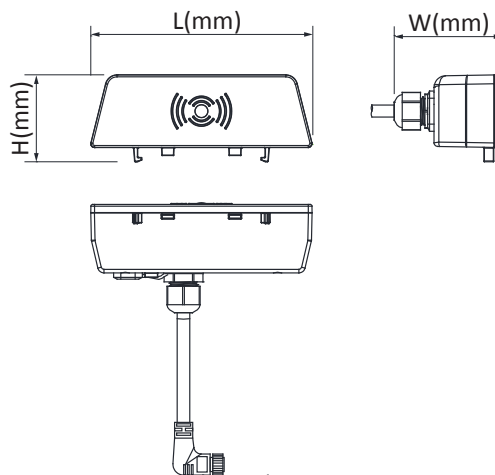
Leonie VARIOFLEX IP65

| | | |
|-------------------------------------|------------------------------------|---------------------------------------|
| EN Installation Instructions | HR Uputstvo za montažu | SE Installationsanvisning |
| DE Montageanleitung | NL Montagehandleiding | RU Инструкция по монтажу |
| CZ Montážní návod | RO Instrucțiuni de montaj | SRB Instrukcija za instalaciju |
| DK Monteringsvejledning | IT Istruzioni di montaggio | SK Montážny návod |
| EE Paigaldusjuhend | LT Montavimo Instrukcijos | SLO Navodilo za montažo |
| FI Asennusohje | LV Instalācijas instrukcija | CN 安装说明书 |
| FR Notice de montage | NO Monteringsanvisning | |
| HU Szerelési útmutató | PL Instrukcja montażu | |

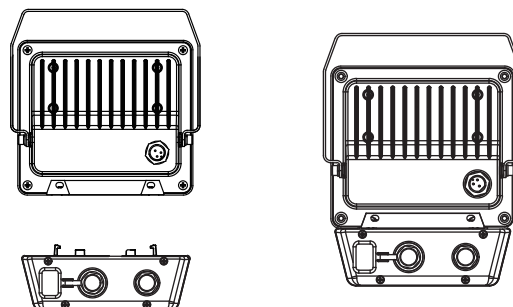


1. Installation and commissioning may only be carried out by authorized specialists and wired in accordance with the latest IEE electrical regulations or the national standards
2. Mains power must be switched off before carrying out installation
3. The manufacturer, shall not be liable for any damage resulting from inappropriate modifications to the luminaire or faulty installation.
4. If the external flexible cable or cord of this luminaire is damaged, it shall be exclusively replaced by the manufacturer or his service agent or a similar qualified person in order to avoid a hazard.
5. Limitation of use indoors and/or outdoor.
6. Caution, risk of electric shock.

| Product Description | Wattage | SAP Code | L /mm | W /mm | H /mm | Weight/kg | Windage/m ² Scx |
|--------------------------------|---------|----------|-------|-------|-------|-----------|----------------------------|
| LEONIE VARIOFLEX PLUG&PLAY MWS | / | 96635648 | 123.5 | 60 | 48.5 | 0.14 | / |

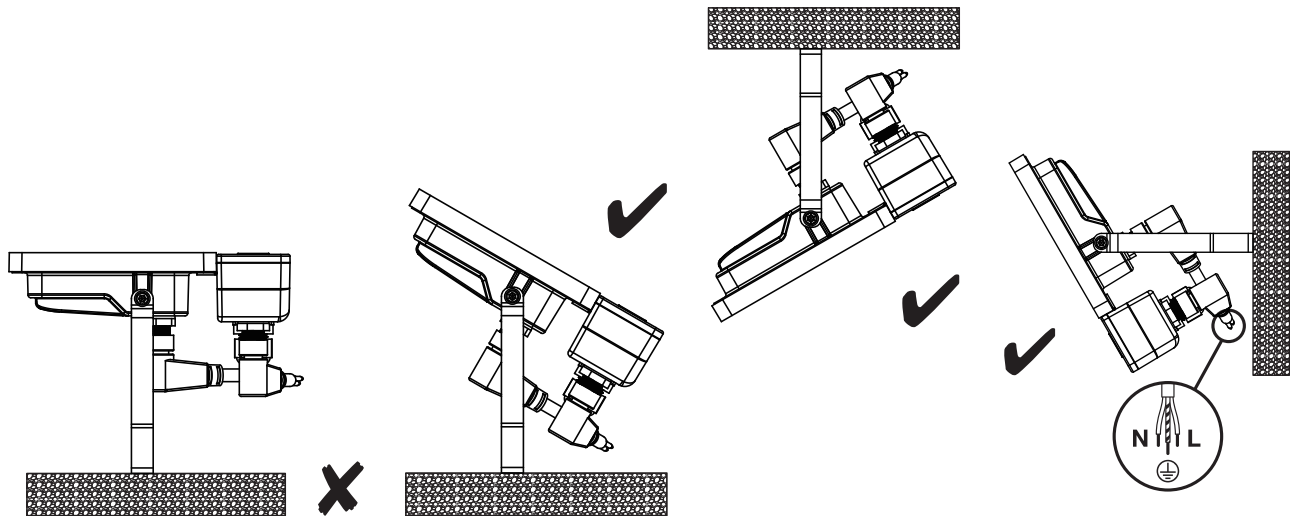


1

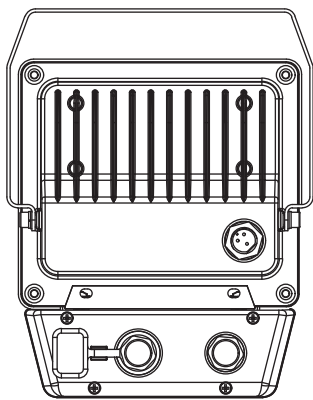


Sensor available as accessory.
Sensor als Zubehör erhältlich.
Détecteur disponible en accessoire.

Leonie VARIOFLEX IP65



MWS



Detection Area
Sensibilité

| | | |
|----|----|------|
| 1 | 2 | |
| ON | ON | 100% |
| ON | - | 75% |
| - | ON | 50% |
| - | - | 10% |



Hold Time
Temps de maintien

| | | |
|----|----|-------|
| 3 | 4 | |
| ON | ON | 5S |
| ON | - | 90S |
| - | ON | 5min |
| - | - | 15min |

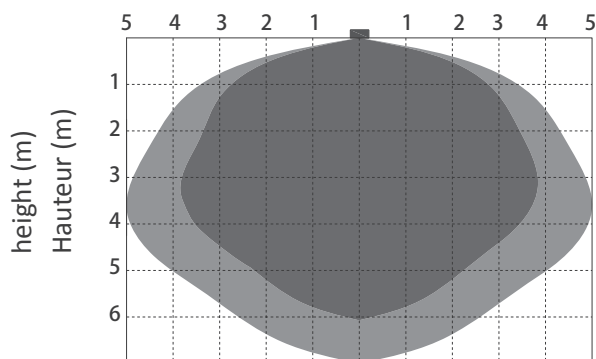


Daylight Sensor
Capteur de lumière du jour

| | | |
|----|----|---------|
| 5 | 6 | |
| ON | ON | Disable |
| ON | - | 50Lux |
| - | ON | 10Lux |
| - | - | 2Lux |

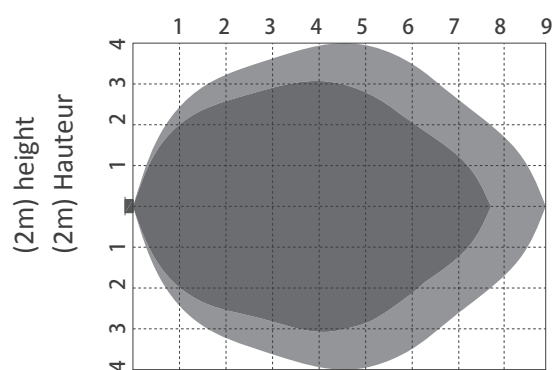


Ceiling mounting (m)
Montage au plafond (m)



■ high sensitivity area
■ low sensitivity area

Wall mounting (m)
Montage mural (m)



■ high sensitivity area
■ low sensitivity area

