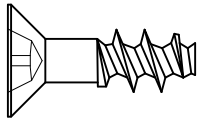




SM
2383.020

Raum für Verpackungsdatum
Area for date of packing
(MMJJTT / MMYDD)

2x

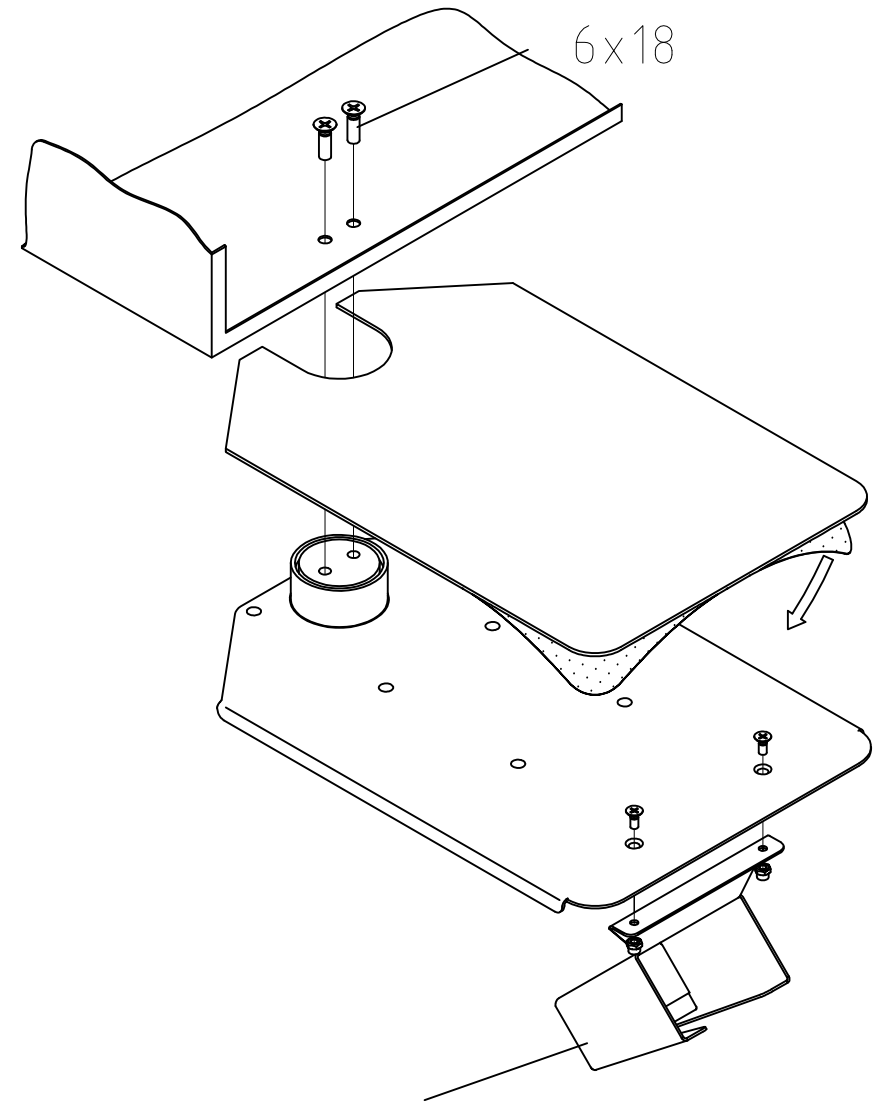


6x18

Zchnng.-Nr. / No. of dwg. : A2920802SM

Versandbeutel-Nr. / No. of accessory bag : 288139

Lieferanten-Nr. / No. of supplier :



6x18

SM 2382.000