



SZ

2388.280

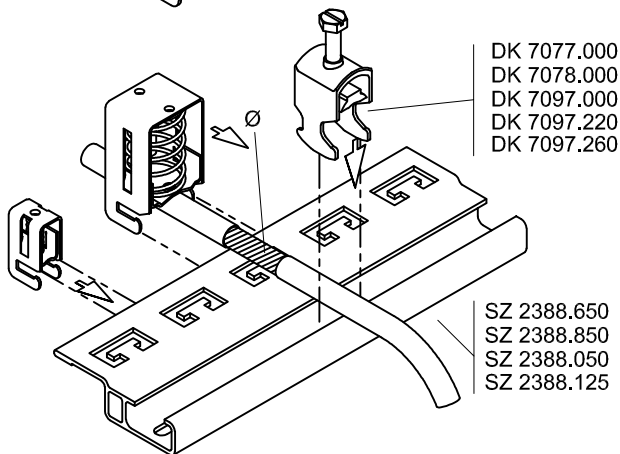


4028177318267

10x



Ø15-28



Zchnng.-Nr. / No. of dwg. : A06928001SZ
Versandbeutel-Nr. / No. of accessory bag : -

Lieferanten-Nr. / No. of supplier :