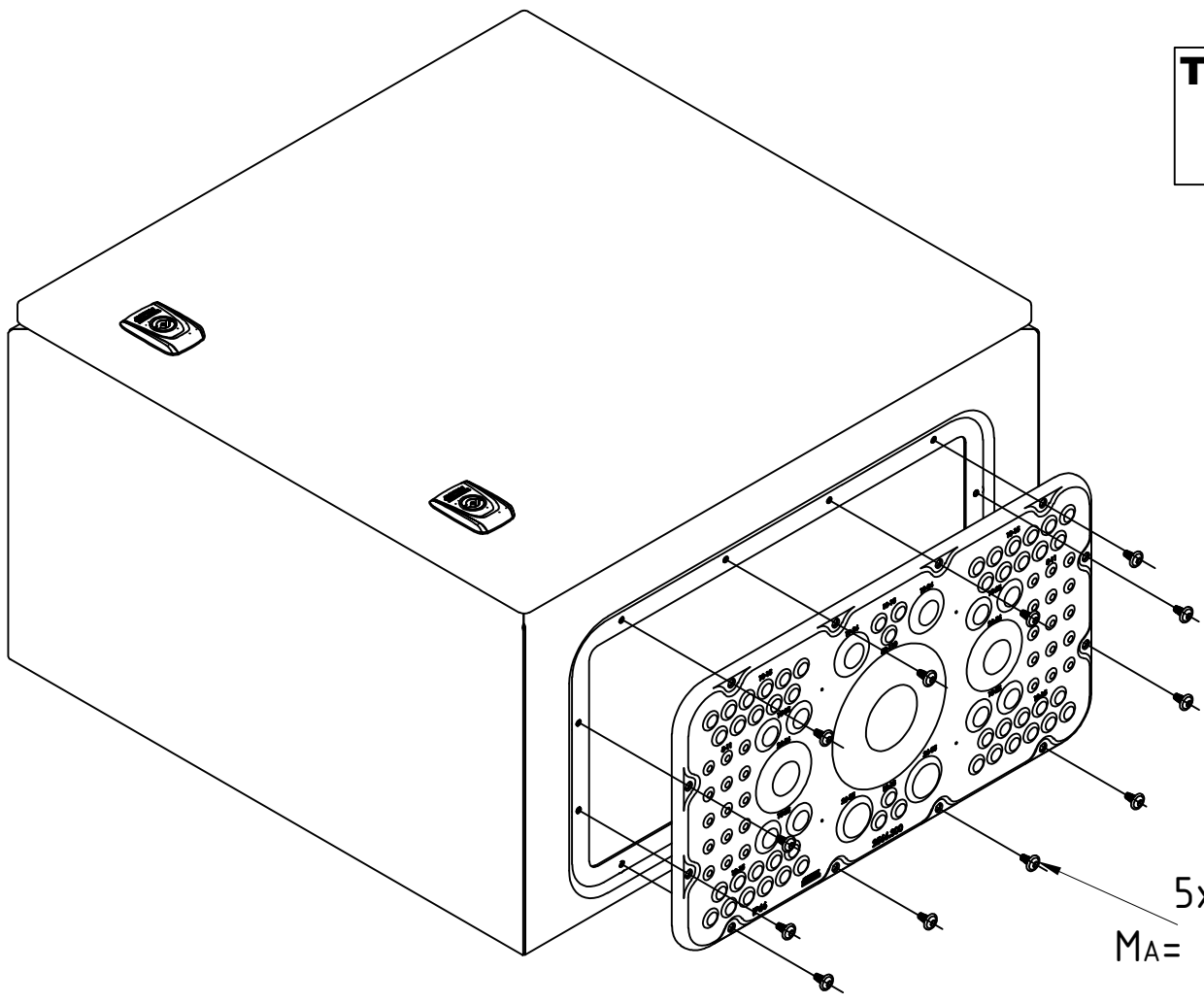
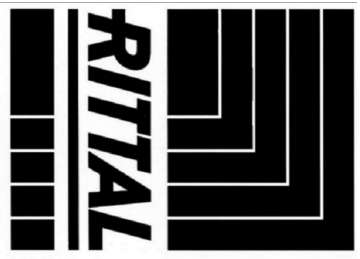


**TX25**



5x16  
MA= 1,5+0,5 Nm



Raum für Verpackungsdatum  
Area for date of packing  
(MMJJTT / MMYYYDD)



[www.rittal.com](http://www.rittal.com)

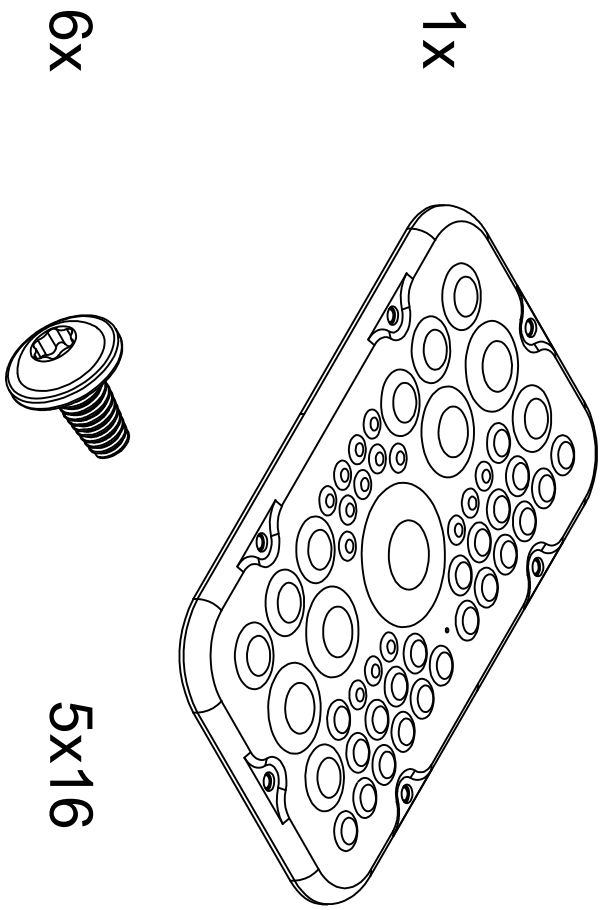
**SZ**

**2561.300**

AX plastic gland plate  
Only for use with Rittal  
AX series products



4028177935693

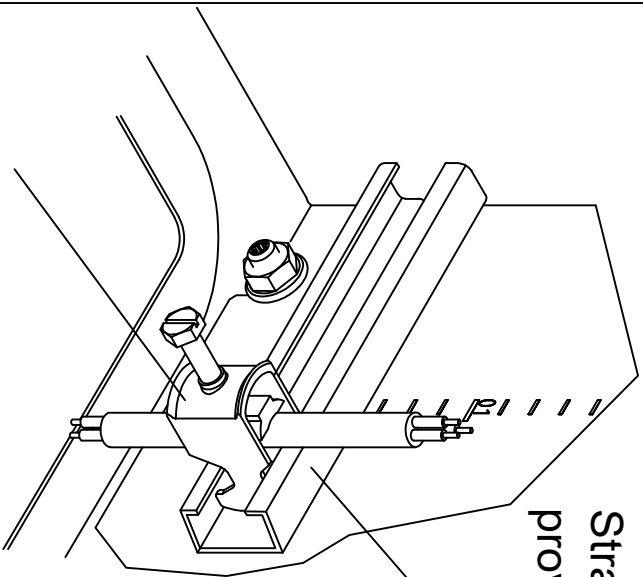


This gland plate can be used to replace the gland plate and gasket supplied with the AX series.

Dok.-Nr. / No. of doc.: A08806001SZ  
Versandbeutel-Nr. / No. of accessory bag: 373783

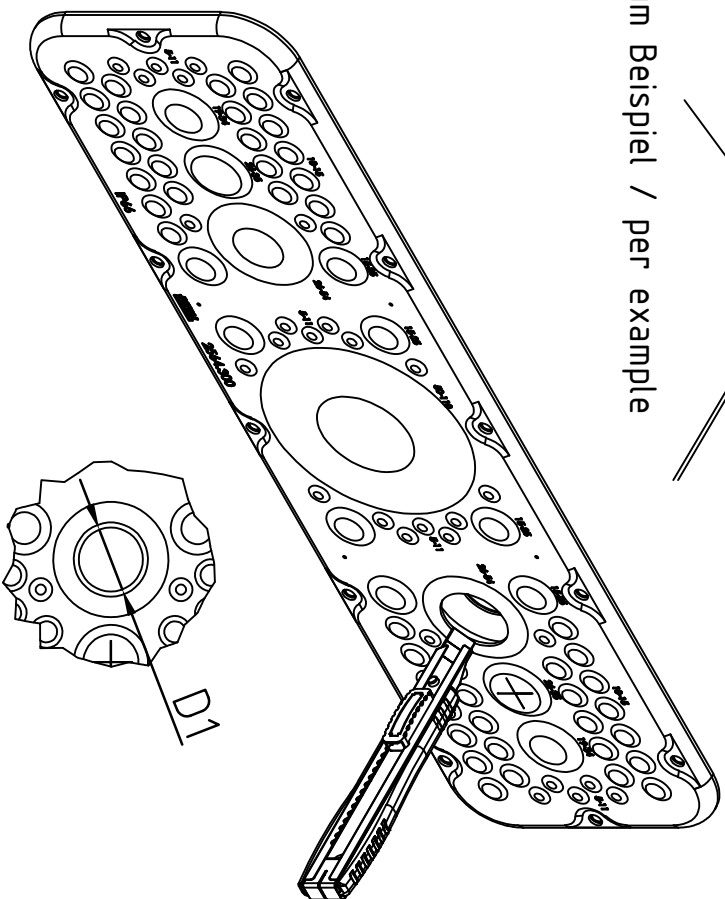
Made in XXXXX  
Lieferanten-Nr. / No. of supplier:

Strain relief must additionally be provided in the end application.



zum Beispiel / per example

zum Beispiel / per example



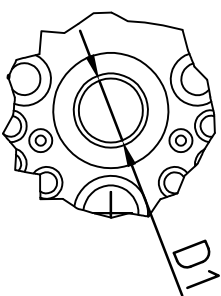
Kreisrund - Schneiden / round cutting

D1= d-15 mm

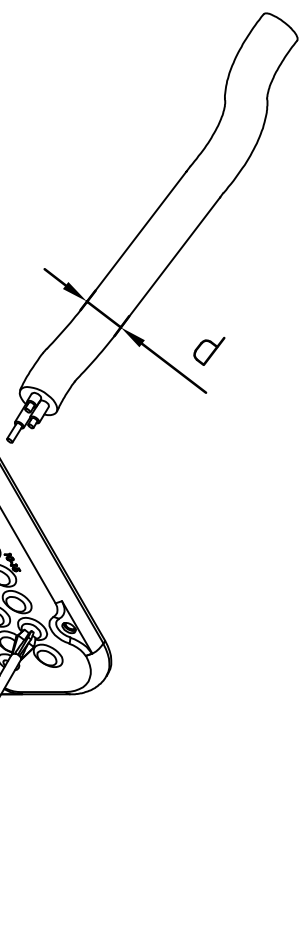
D1= d-20 mm

für/for d= 36-60 mm

für/for d= 60-110 mm

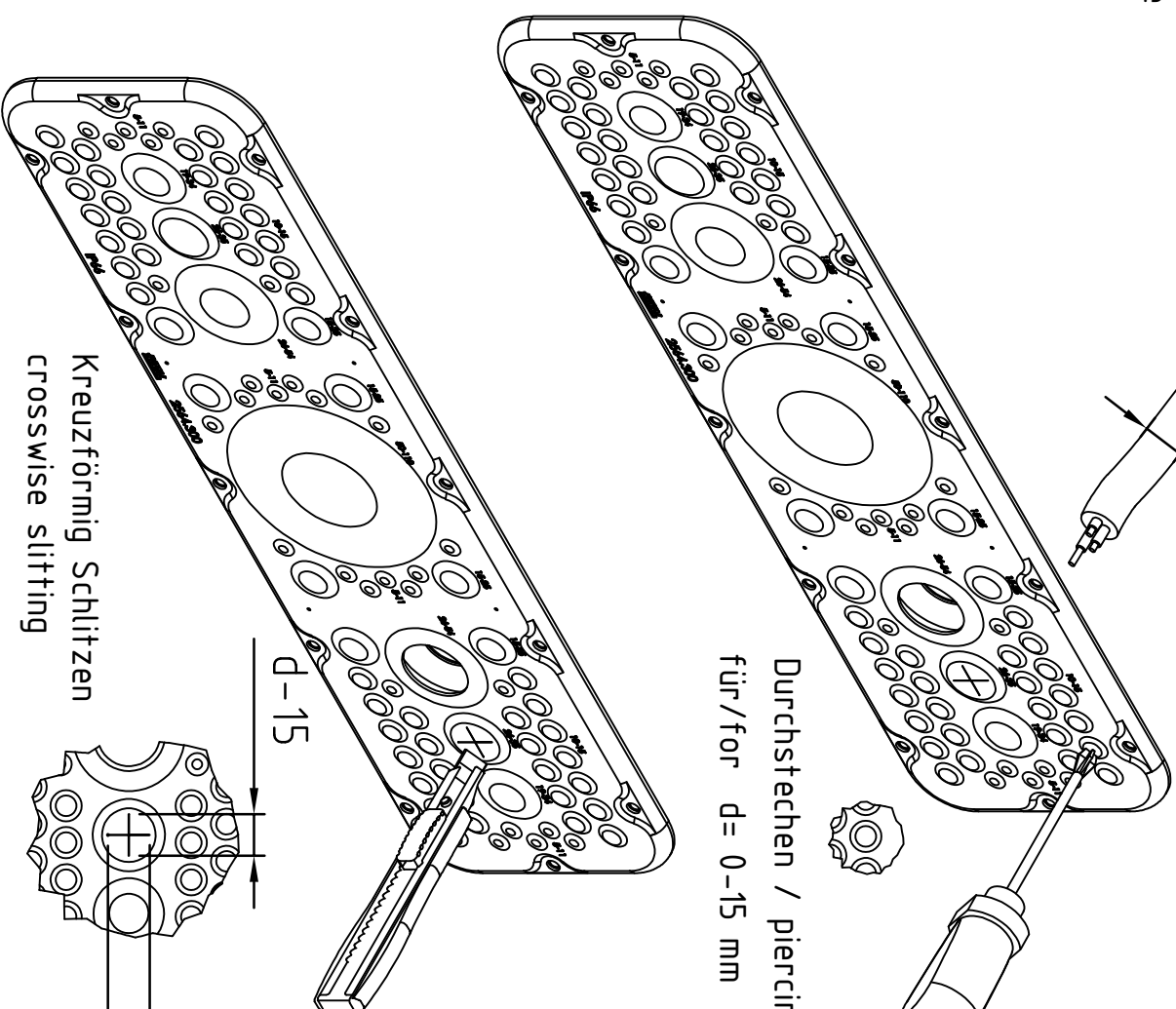


D1



Durchstechen / piercing

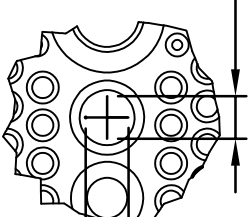
für/for d= 0-15 mm



Kreuzförmig Schlitzten  
crosswise slitting

d-15

d-15



für/for d= 16-35 mm