
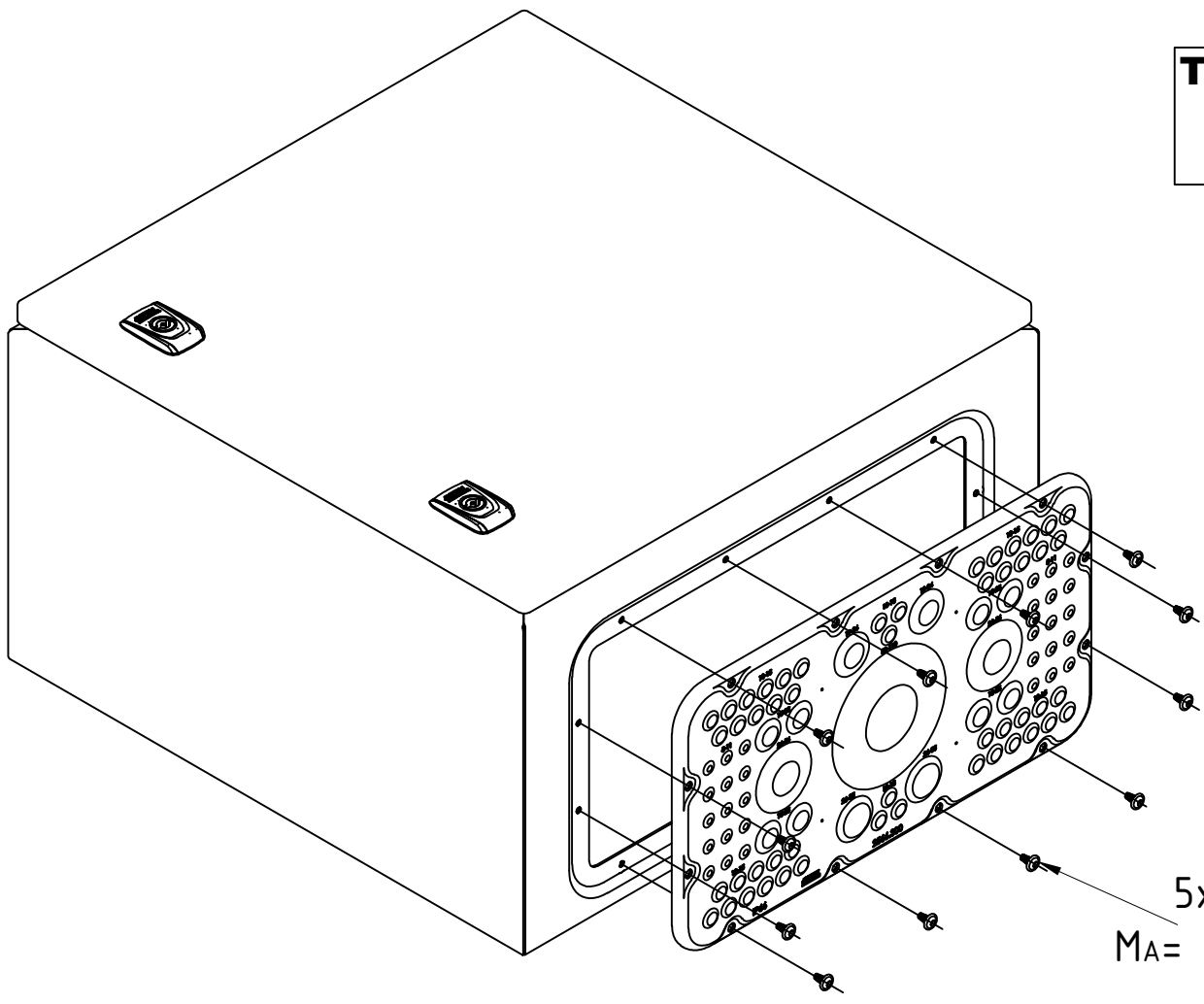


TX25

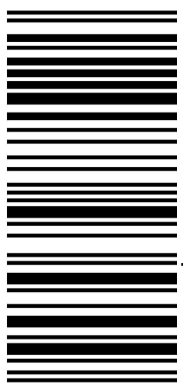
5x16
 $M_A = 1,5 + 0,5 \text{ Nm}$



Raum für Verpackungsdatum
 Area for date of packing
 (MMJJTT / MMYDDD)

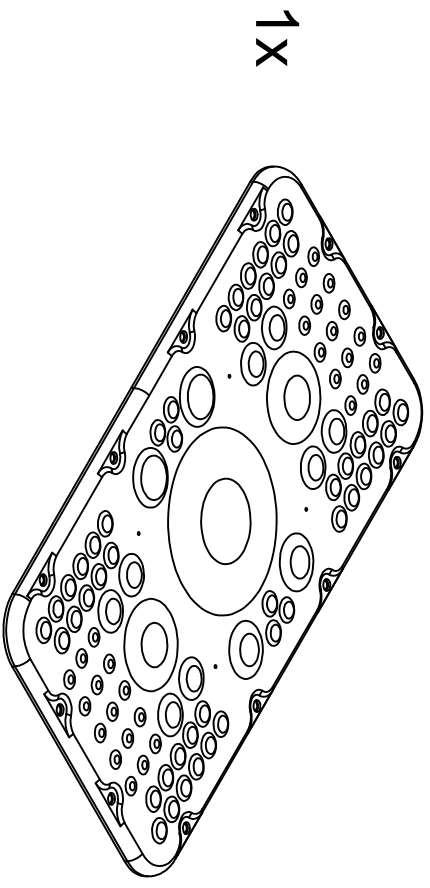


www.rittal.com



4028177935709

SZ
25666.300
 AX plastic gland plate
 Only for use with Rittal
 AX series products



1X



12X

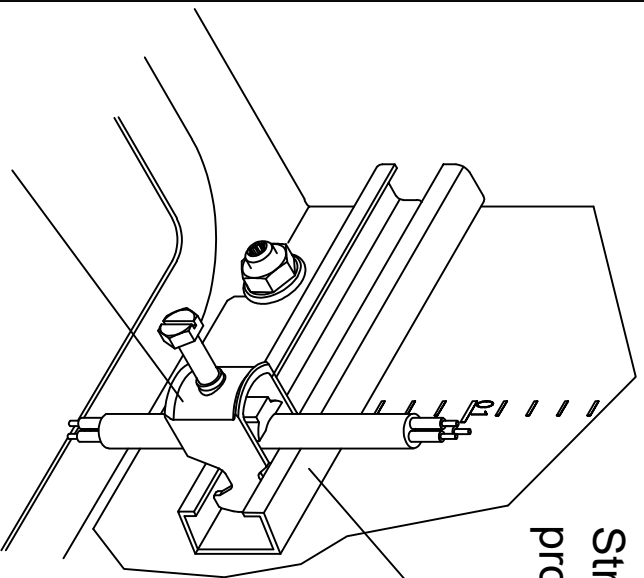
5X16

This gland plate can be used to replace the gland plate and gasket supplied with the AX series.

Zehng.-Nr. / No. of dwg. : A08807501SZ
 Versandbeutel-Nr. / No. of accessory bag : -

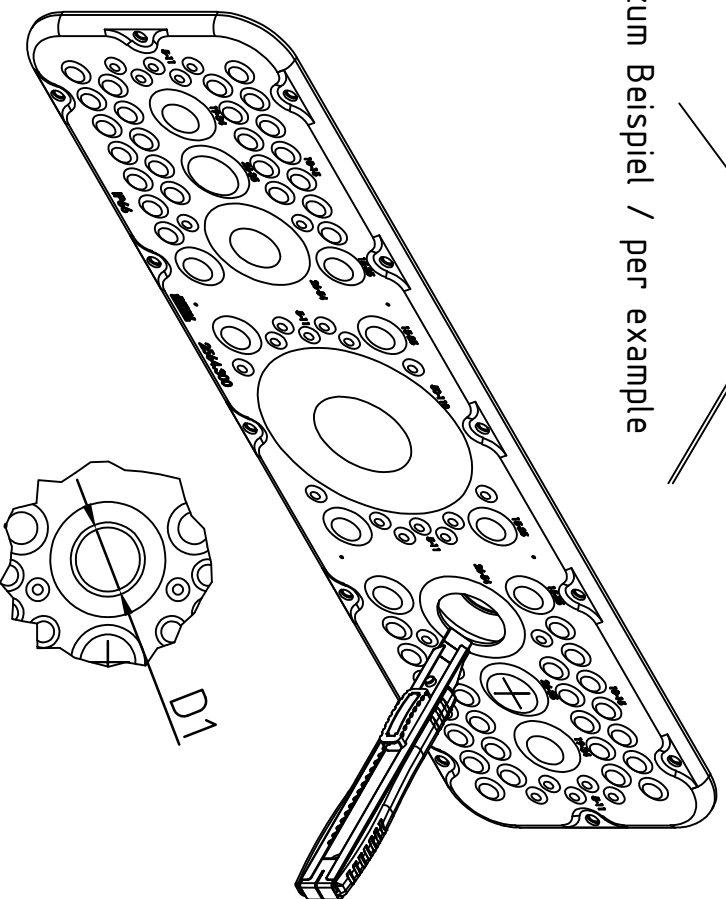
Made in xxx
 Lieferanten-Nr. / No. of supplier :

Strain relief must additionally be provided in the end application.



zum Beispiel / per example

zum Beispiel / per example



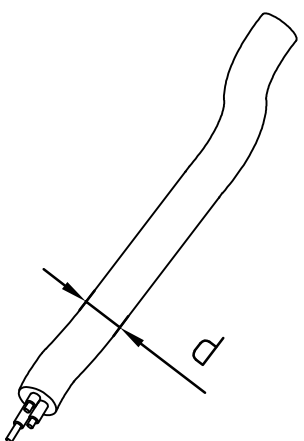
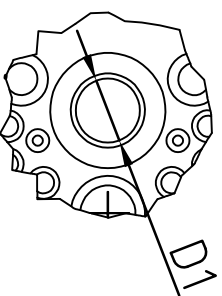
Kreisrund - Schneiden / round cutting

D1= d-15 mm

für/for d= 36-60 mm

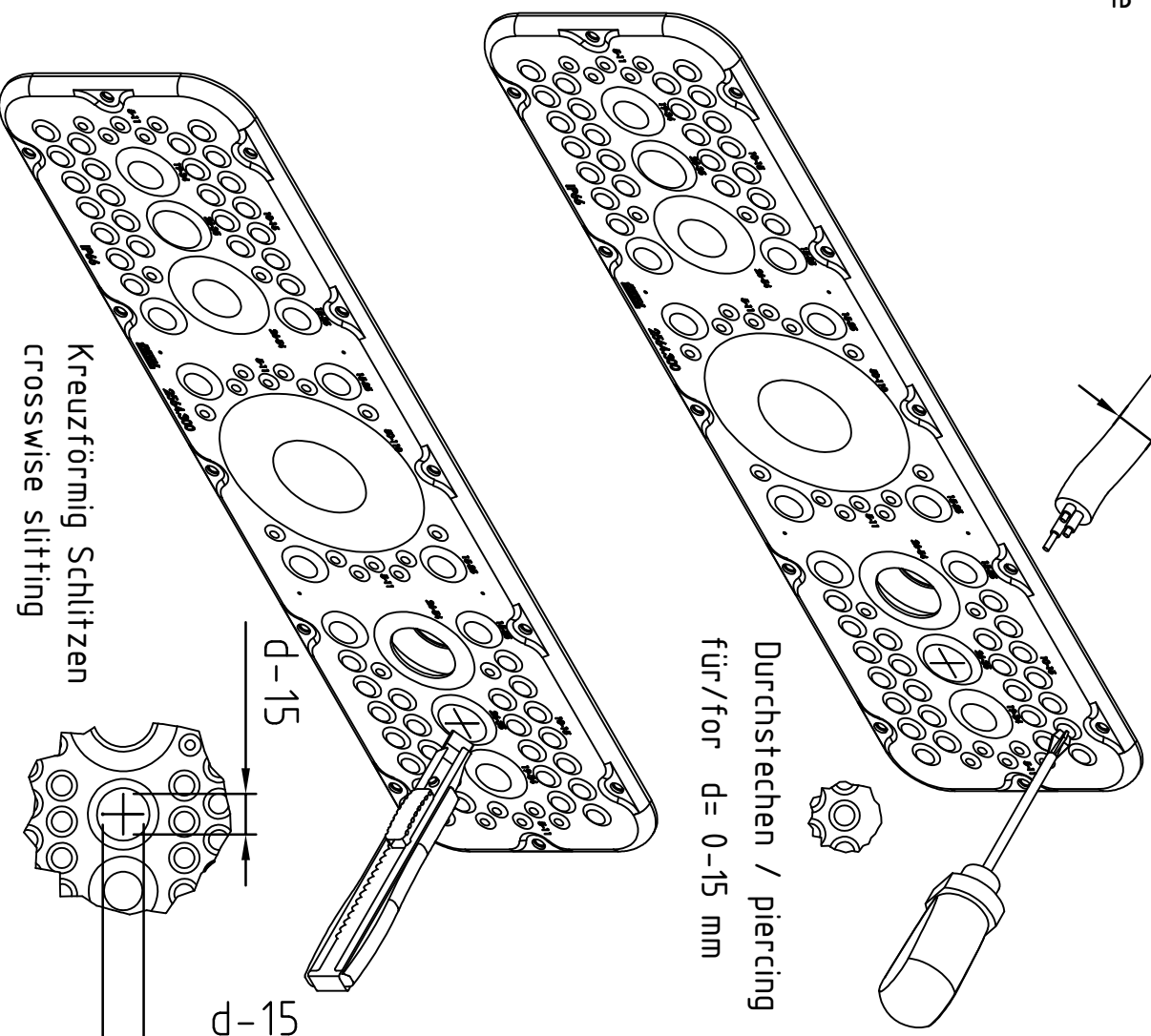
D1= d-20 mm

für/for d= 60-110 mm



Durchstechen / piercing

für/for d= 0-15 mm



Kreuzförmig Schlitten
crosswise slitting

d-15

d-15

für/for d= 16-35 mm

