



SV  
3031.000  
3032.000

Raum für Verpackungsdatum  
Area for date of packing  
(MMJJTT / MMYDD)

ERC CE

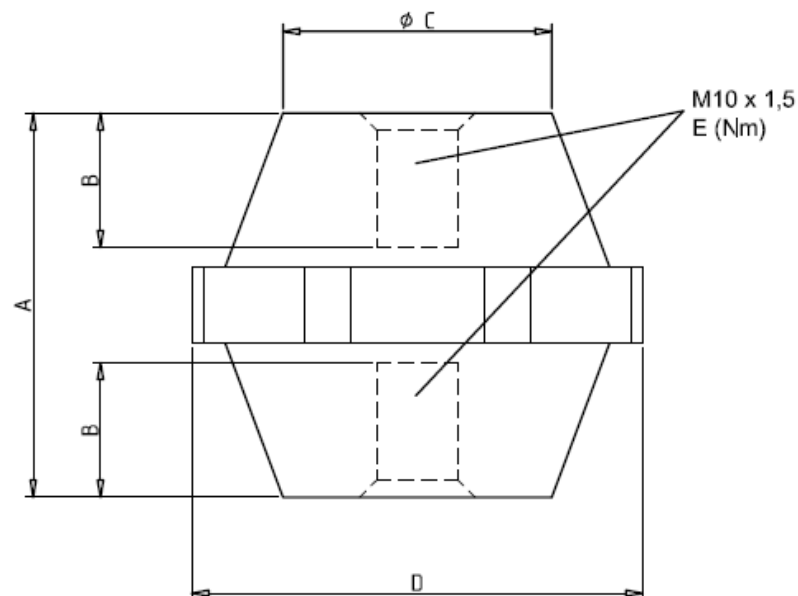
6 Stützisolatoren

6 Base isolators

6 Supports isolants

Zchng.-Nr. / No. of dwg. : A06825402SV  
Versandbeutel-Nr. / No. of accessory bag : -

Lieferanten-Nr. / No. of supplier :



|          | SV 3031.000 | SV 3032.000 |
|----------|-------------|-------------|
| A [mm]   | 40          | 50          |
| B [mm]   | 11          | 14          |
| Ø C [mm] | 32          | 40          |
| D [mm]   | 36          | 50          |
| E [Nm]   | 40          | 40          |
| Ue [kV]  | 1           | 1           |

For further information: [www.rittal.com](http://www.rittal.com)