

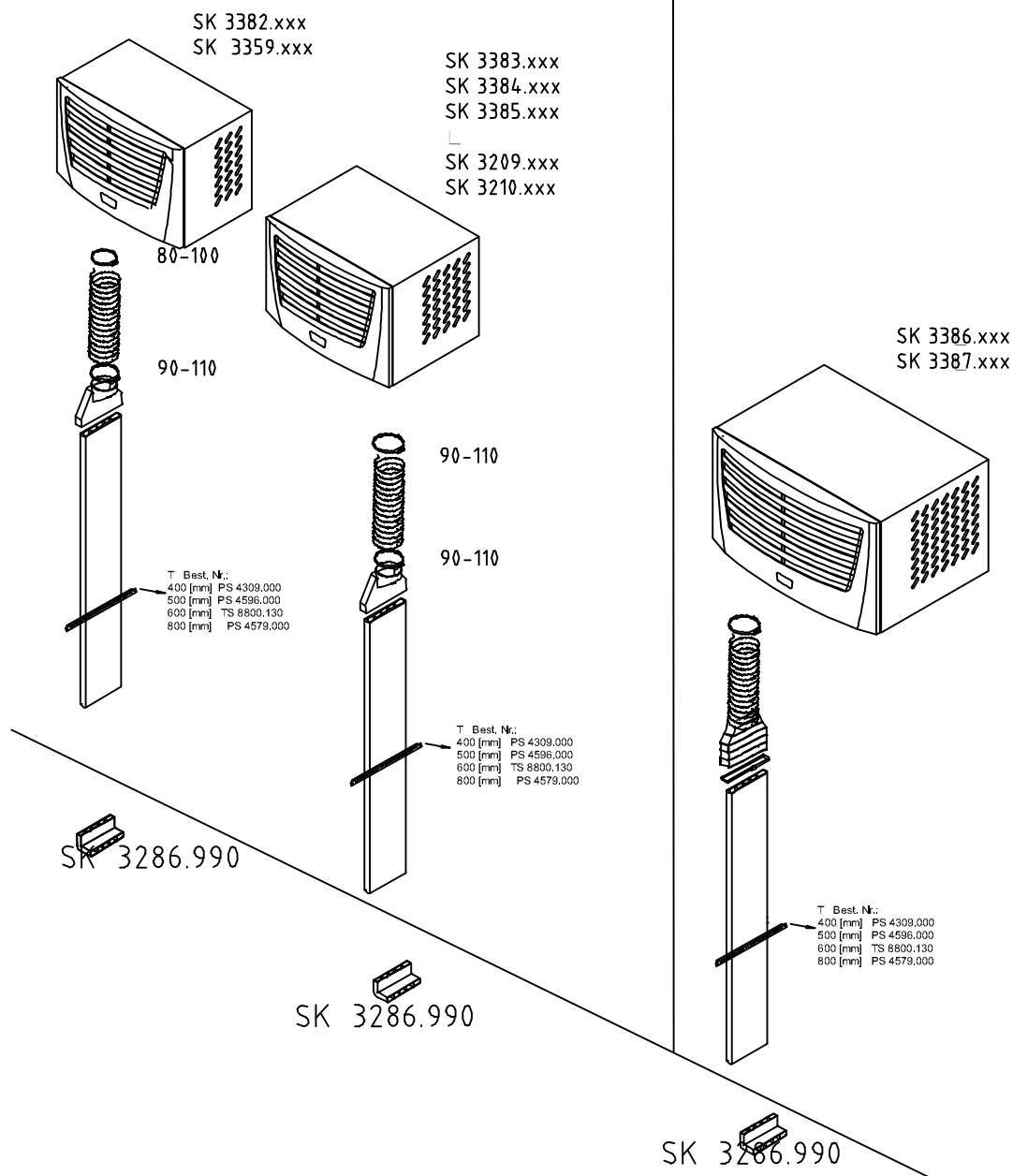
In the event of the grant of a patent, utility model or design, rights reserved in the event of the grant of a patent, utility model or design.

Rittal RSC
 GmbH & Co. KG
 Postfach 1662
 D-35726 Herborn

Einlegeblatt Montageanleitung SK 3286.xxx

SK 3286.870

SK 3286.970



Der Kaltluftstrom darf nicht direkt auf aktive Komponenten gefuehrt werden!
It is not allowed to route the cold air flow directly on active components!