

# Rittal – The System.

Faster – better – everywhere.



## Server-Teleskopschienen Server telescopic slides Rail télescopiques pour serveurs

IT 3659.181

IT 3659.191

**Montageanleitung**  
**Assembly instructions**  
**Notice de montage**

ENCLOSURES

POWER DISTRIBUTION

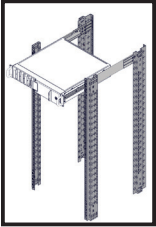
CLIMATE CONTROL

IT INFRASTRUCTURE

SOFTWARE & SERVICES

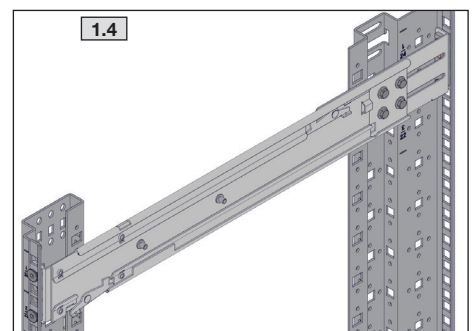
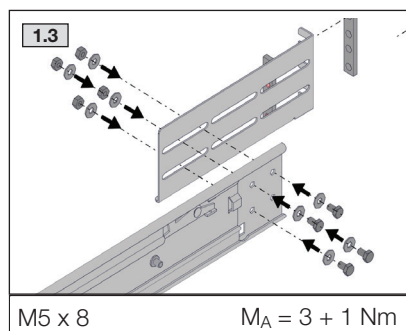
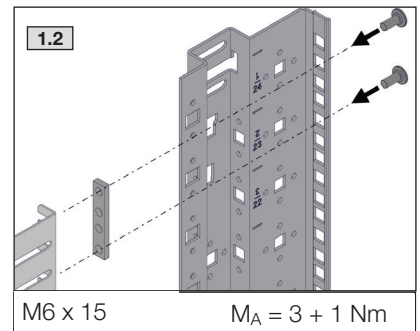
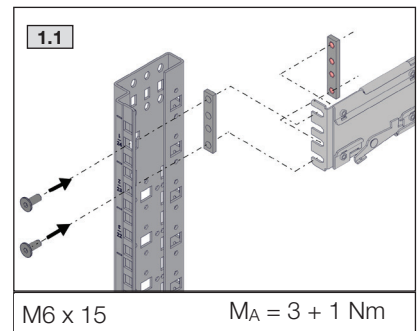
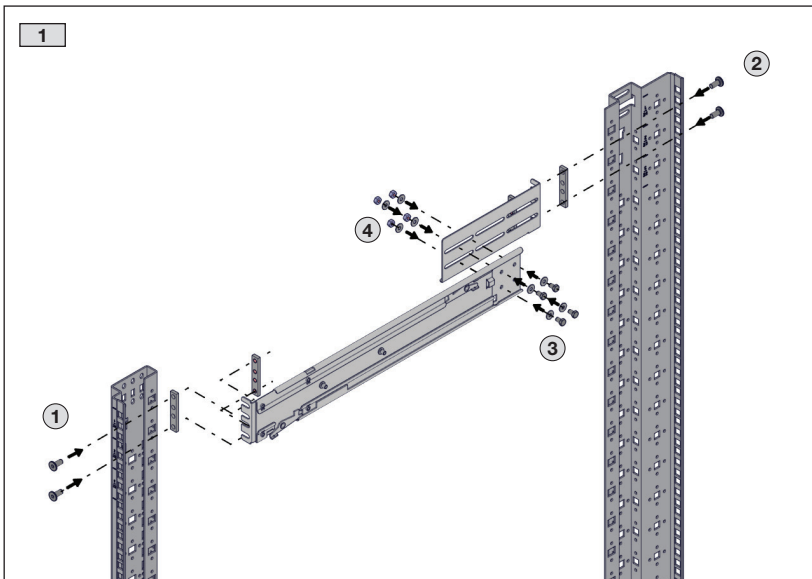
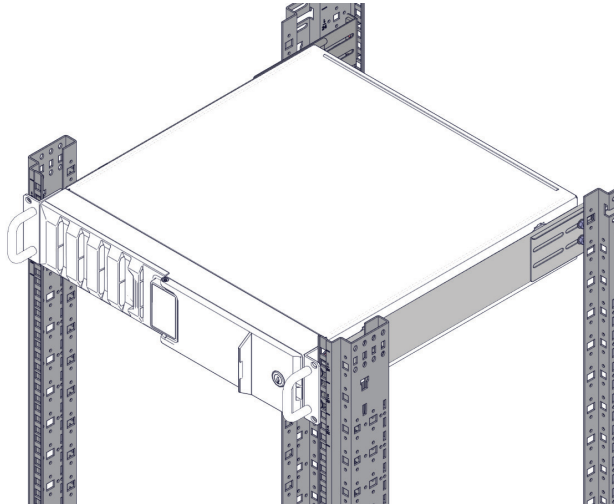
FRIEDHELM LOH GROUP

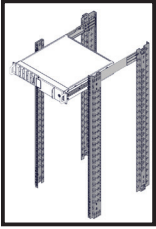




1. Montage  
1. Assembly  
1. Montage

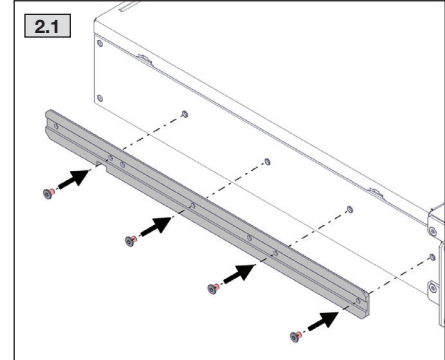
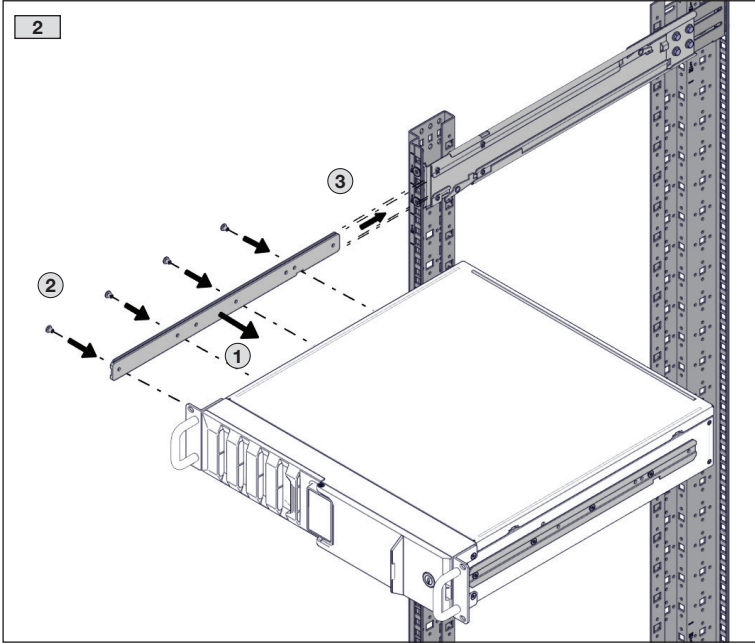
- 1. Montage der Teleskopschiene an Profilschienen
- 1. Mounting the telescopic slides on the mounting angles
- 1. Montage des rails télescopiques sur montants



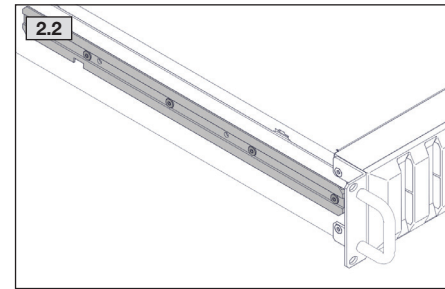


1. Montage  
1. Assembly  
1. Montage

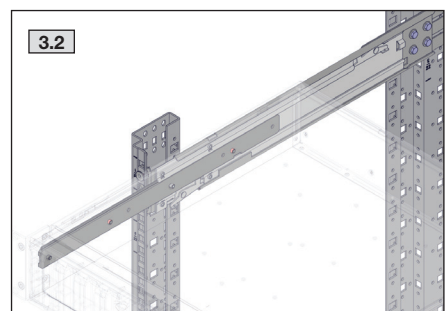
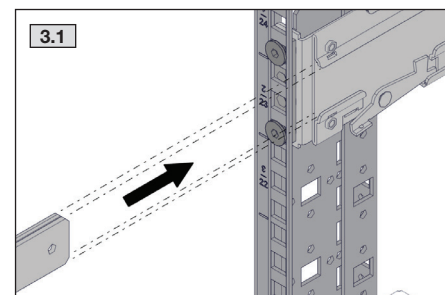
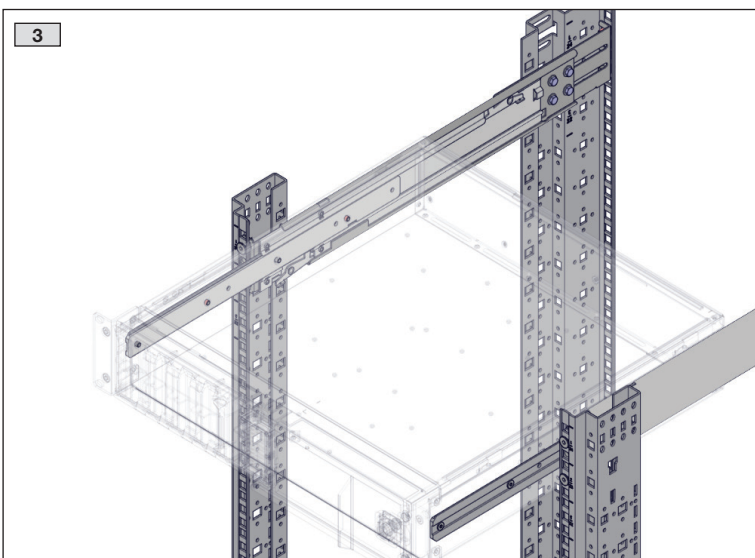
2. Montage der Innenschiene am Gehäuse  
2. Fixing the inner rail to the housing  
2. Montage du rail intérieur sur le boîtier



M5 x 6  $M_A = 3 + 0,5Nm$



3. Einschub Gehäuse in Außenschiene  
3. Inserting the housing into the outer rail  
3. Insertion du boîtier dans le rail extérieur



# Rittal – The System.

Faster – better – everywhere.

- Enclosures
- Power Distribution
- Climate Control
- IT Infrastructure
- Software & Services

You can find the contact details of all Rittal companies throughout the world here.



[www.rittal.com/contact](http://www.rittal.com/contact)

RITTAL GmbH & Co. KG  
Auf dem Stuetzelberg · 35745 Herborn · Germany  
Phone +49 2772 505-0  
E-mail: [info@rittal.de](mailto:info@rittal.de) · [www.rittal.com](http://www.rittal.com)

02.2021/D-0000-00002674-00

ENCLOSURES

POWER DISTRIBUTION

CLIMATE CONTROL

IT INFRASTRUCTURE

SOFTWARE & SERVICES

FRIEDHELM LOH GROUP

