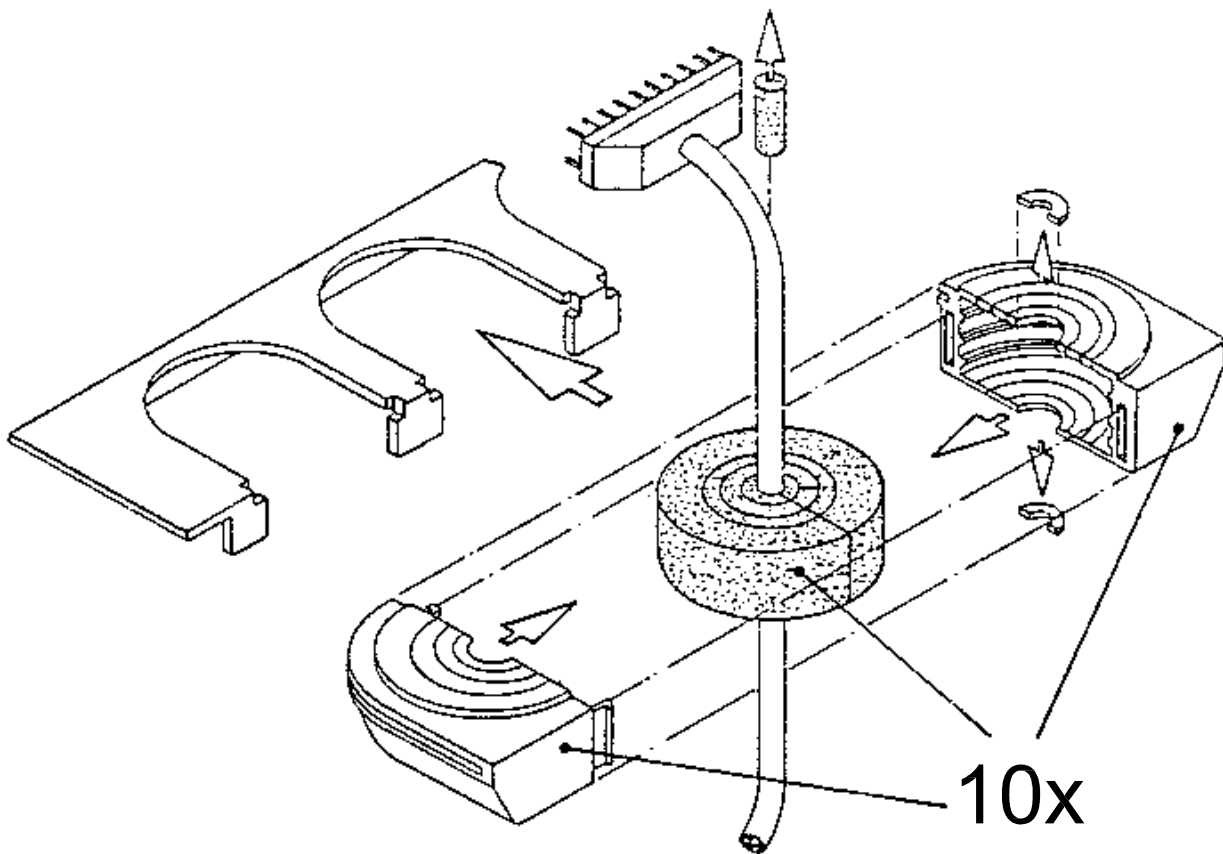




PS  
4311.000



Zchng.-Nr. / No. of dwg. : A0613501PS  
Versandbeutel-Nr. / No. of accessory bag : -

Lieferanten-Nr. / No. of supplier :