



CM
5001.370
5001.371

4x



M6

4x



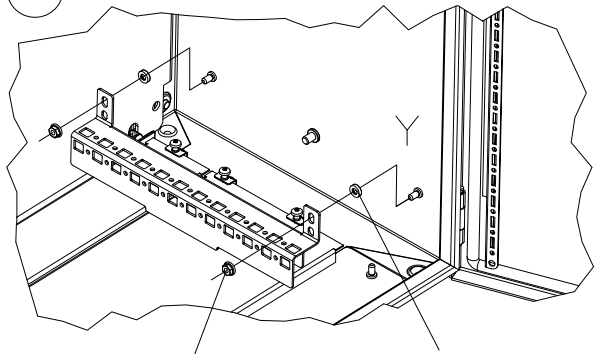
6.4x10x3.4

Zchnng.-Nr. / No. of dwg. : A4173701CM

Versandbeutel-Nr. / No. of accessory bag : 383812

Lieferanten-Nr. / No. of supplier :

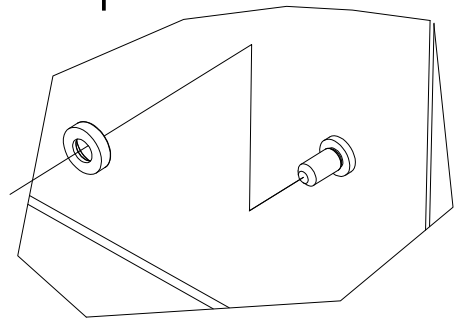
1a



4 x M6
M_D 6Nm

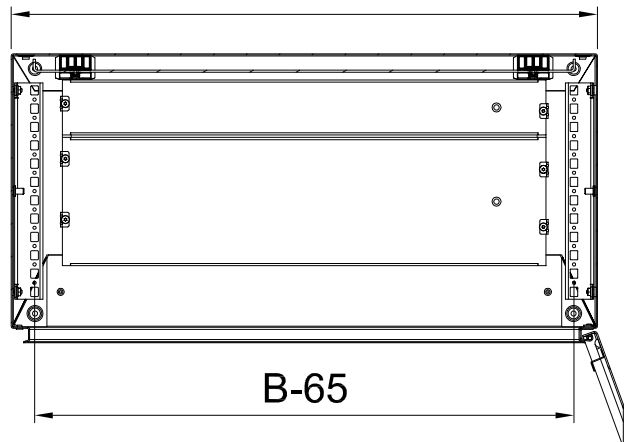
4 x 6.4x10x3.4

Y



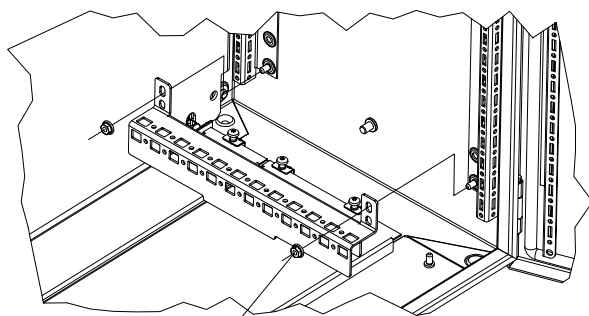
2

B



B-65

1b



4 x M6
M_D 6Nm