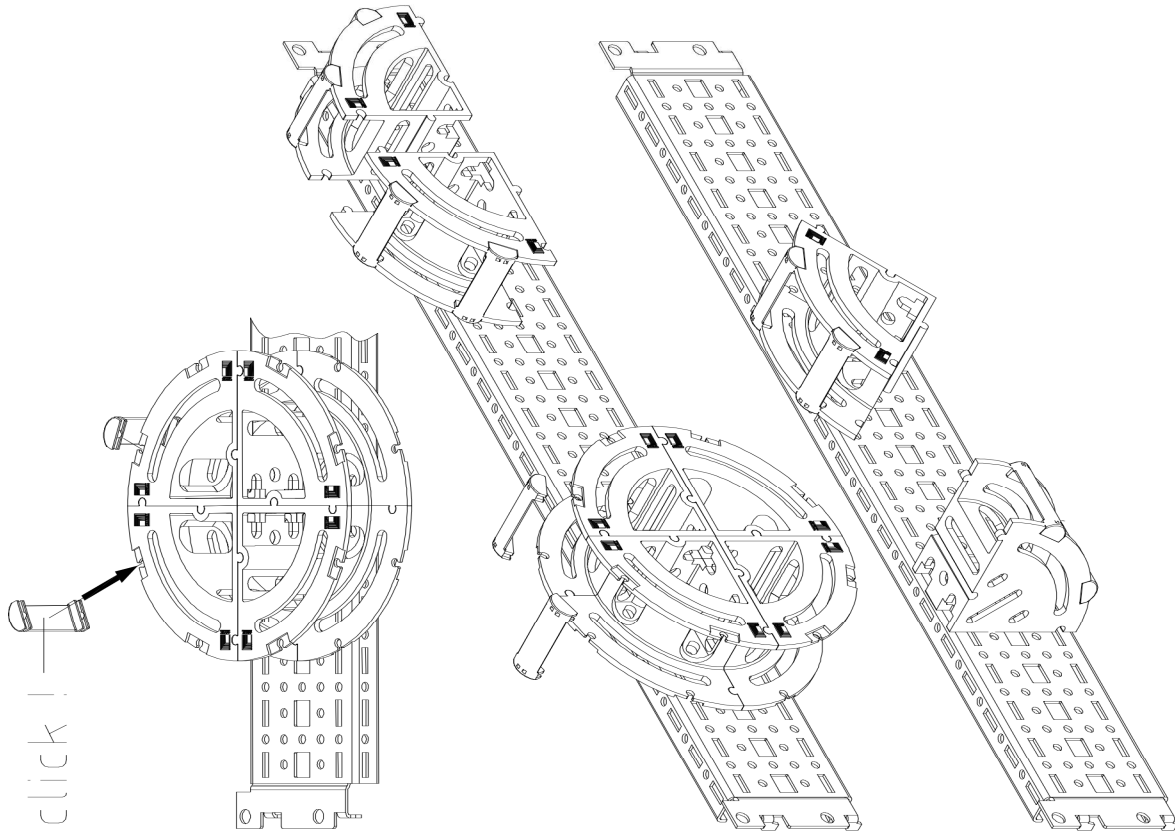
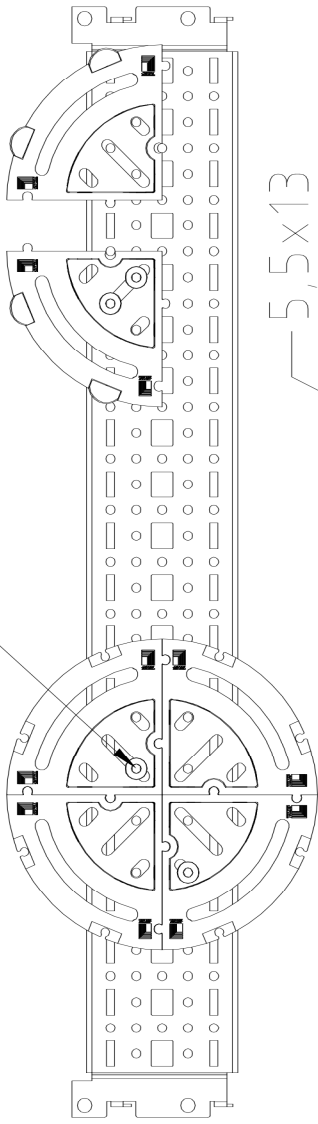


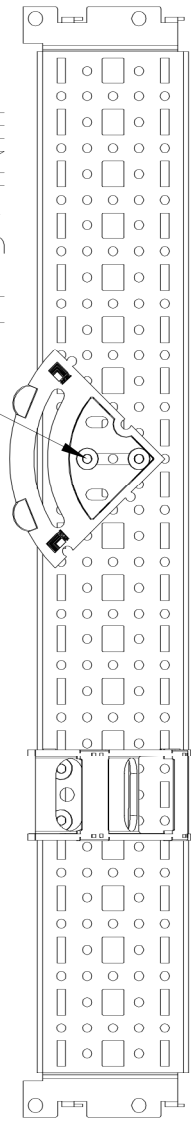
click !



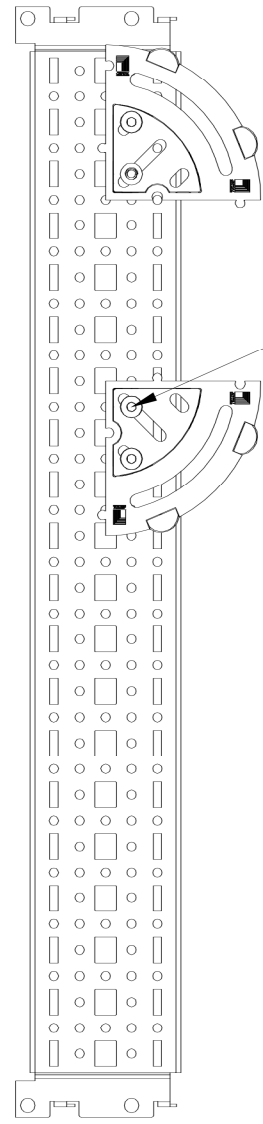
5,5x13  
M=5+1Nm



5,5x13  
M=5+1Nm



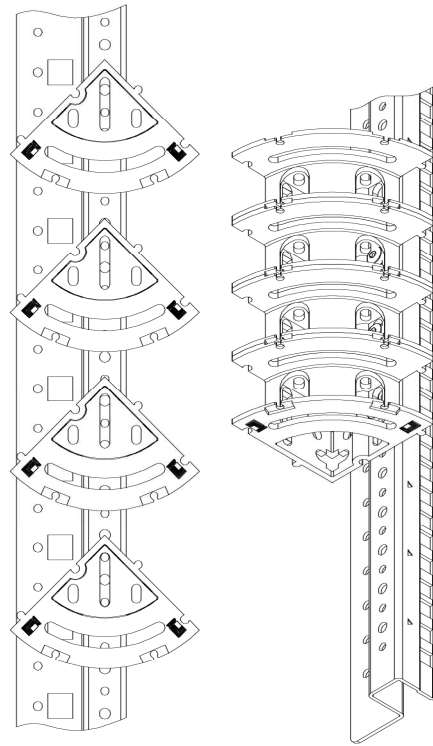
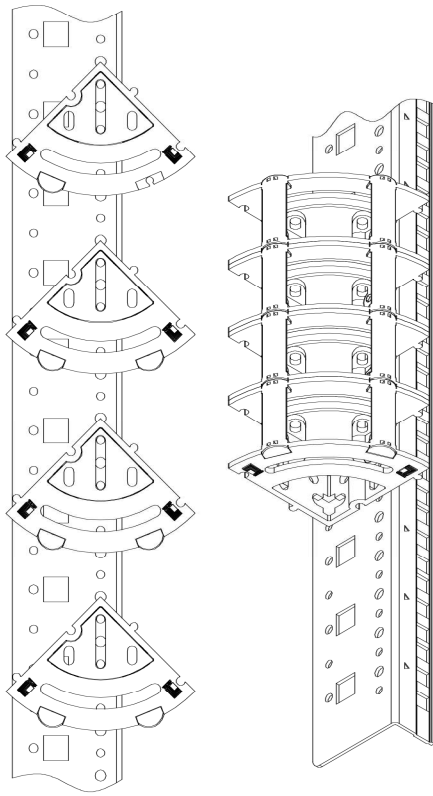
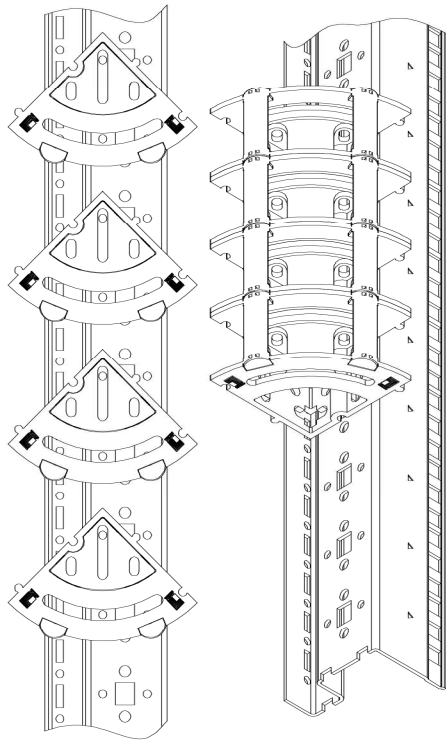
5,5x13  
M=5+1Nm



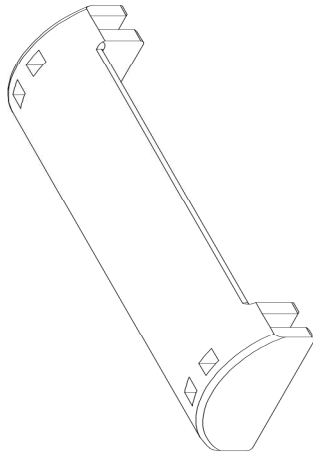


IT  
5502.405  
7064.100  
7064.110

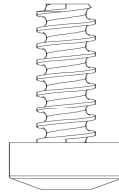
Raum für Verpackungsdatum  
Area for date of packing  
(MMJJTT / MMYDD)



8x / 20x



16x / 40x



5,5x13

Zchng.-Nr. / No. of dwg. : A4140802IT  
Versandbeutel-Nr. / No. of accessory bag : -

Lieferanten-Nr. / No. of supplier :