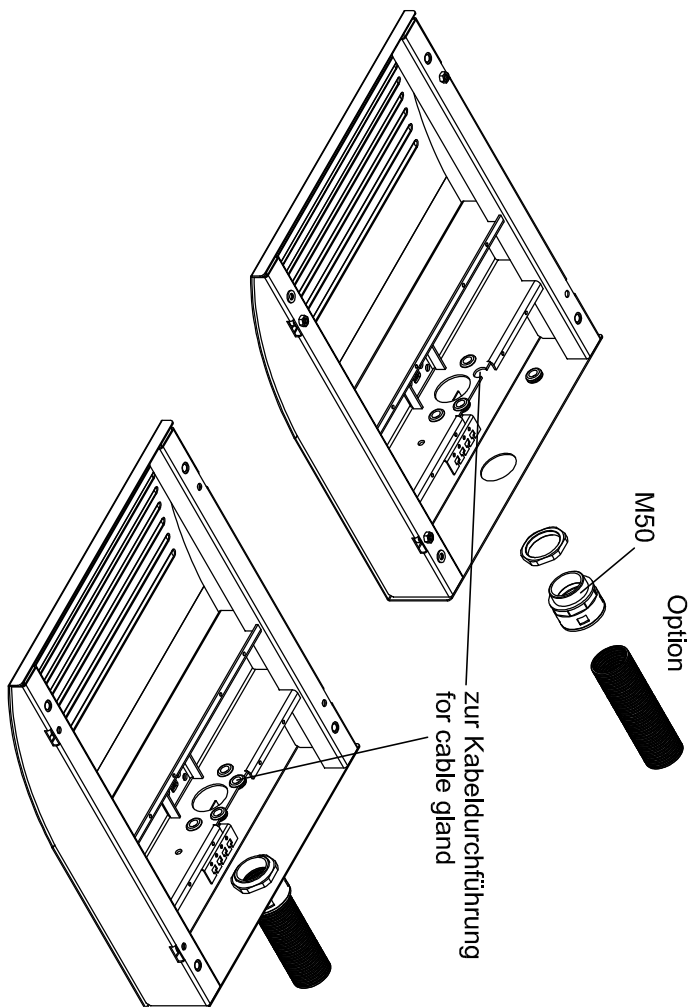


CP  
6106.200



Raum für Verpackungsdatum  
Area for date of packing  
( MMJJTT / MMYDD )



|    |  |                |
|----|--|----------------|
| 4x |  | M8x40          |
| 4x |  | J8,4           |
| 2x |  |                |
| 4x |  | Stopfen / Plug |

Zchng.-Nr. / No. of dwg. : A04888500CP72  
Versandbeutel-Nr. / No. of accessory bag :

Lieferanten-Nr. / No. of supplier :

